



COMPTON COLLEGE – STUDENT HOUSING

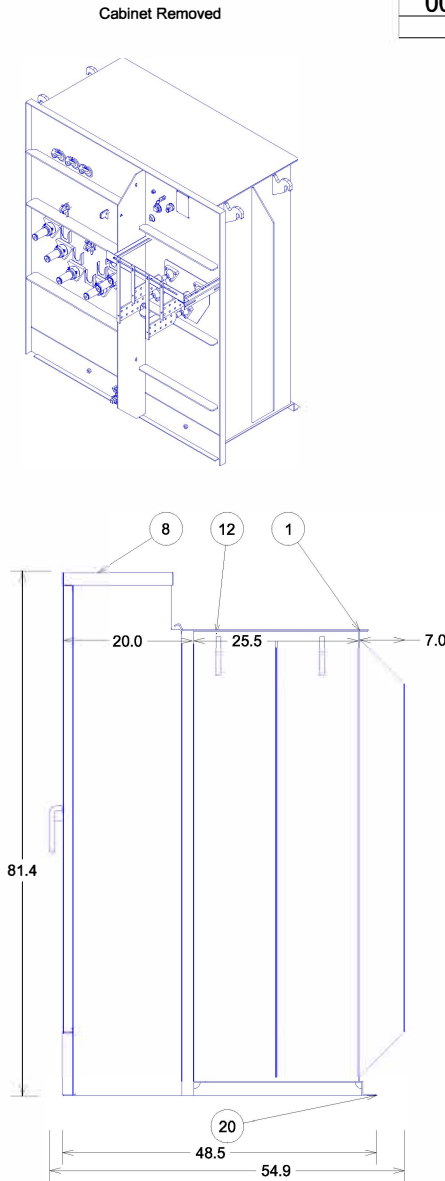
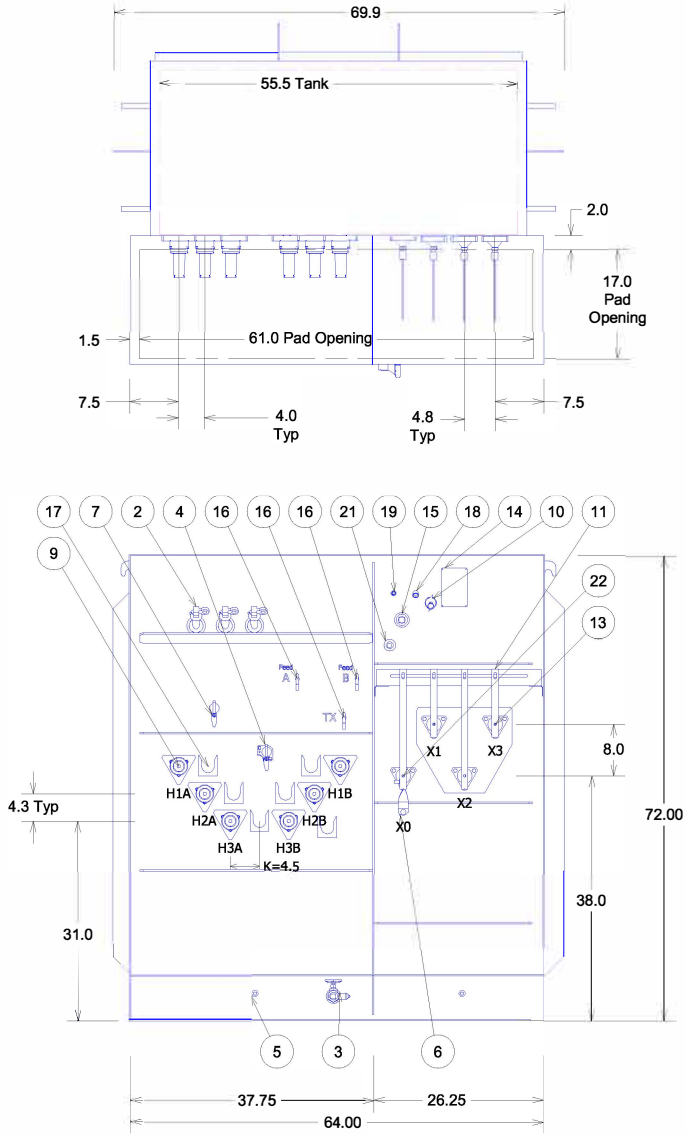
Electrical Equipment Cutsheet Package



www.p2sinc.com

April 10, 2023
P2S Project # 22-0843

ITE	DESCRIPTION
1	Bolted Cover w/ Nutguard
2	Cooper Bayonet Fusing w/ Dripshield
3	Drain Valve with Sampler
4	Dual Voltage Switch
5	Ground Nut .50-13 Tap
6	Ground Strap and Nut
7	H0 Isolation Switch
8	High Security Cabinet w/ Pentahead Door Bolts
9	35kV 200 Amp HV Bushing Well w/ 15kV Insert
10	Internal Fault Detector
11	LV Bushing Support
12	Lifting Lug
13	1.2kV LV Bushing w/10 Hole Spade Supported
14	Nameplate
15	One Inch Upper Press. Conn. and Fill Plug
16	Two Position Loadbreak Switch
17	Parking Stand
18	Pressure Relief Valve
19	Provision Pressure Vacuum
20	Tank Base w/ Jacking and Rolling Facilities
21	Thermometer Provision
22	X0 Bushing



0002GP11K3XM

REVISIONS

3PH Padmount Transformer 60Hz
 500.0 kVA ONAN 65 AW/R Mineral Oil
 HV 4160v Delta 95 kV BIL LV 208/120v
 30 kV BIL
 4.71 %IZ
 Munsell Green Topcoat
 Mild Steel Construction

SO 214591929
 PO 5501689596
 Customer BORDER ELECTRIC SUPPLY FGO

MATERIAL:
 ALL DIMENSIONS ARE IN INCHES [MM]
 THE INFORMATION ON THIS DOCUMENT WAS
 CREATED BY EATON. IT WAS DISCLOSED IN
 CONFIDENCE AND IS ONLY TO BE USED FOR
 THE PURPOSE IN WHICH IT WAS SUPPLIED.
 THIS DRAWING HAS BEEN GENERATED FROM A 3D MODEL

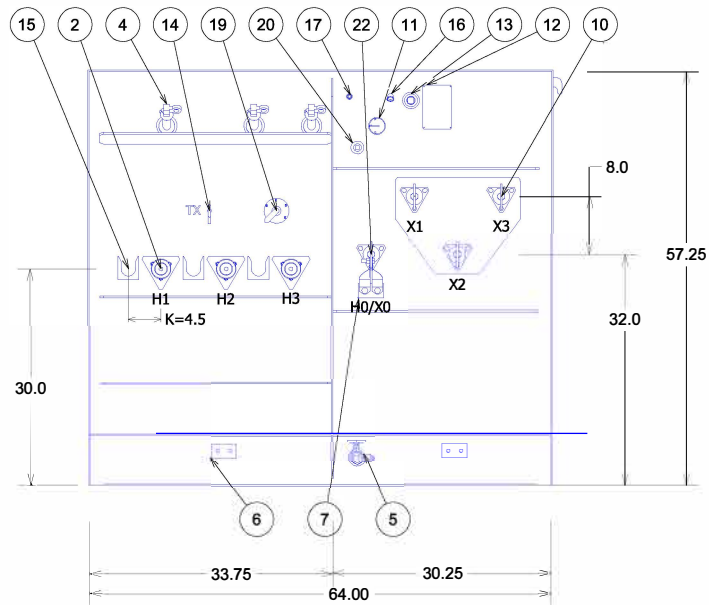
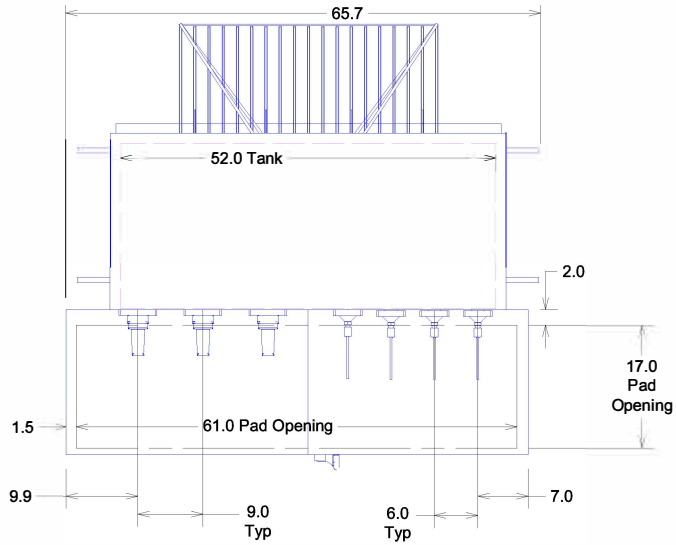
EATON
 Powering Business Worldwide

TITLE: Distribution Transformer Outline Drawing
 DE SC: COOPER POWER SERIES THREE-PHASE
 PAD-MOUNTED COMPARTMENTAL TYPE

DWG: PTP	DATE: 12/14/2018	REF: P3D V03R09M09	SHEET #: 1 OF 1	SCALE:	REV: 00
----------	------------------	--------------------	-----------------	--------	---------

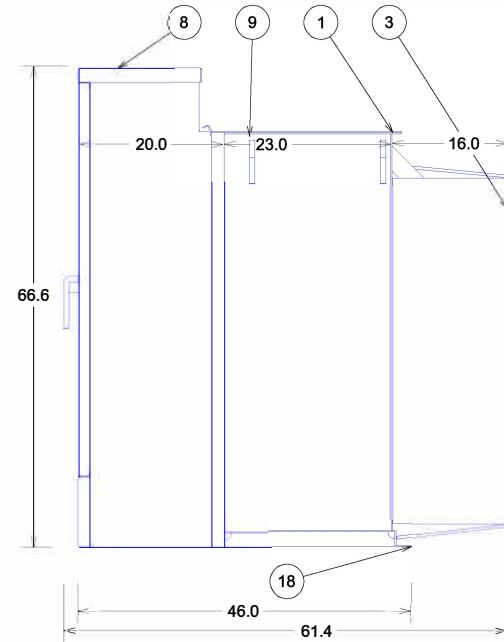
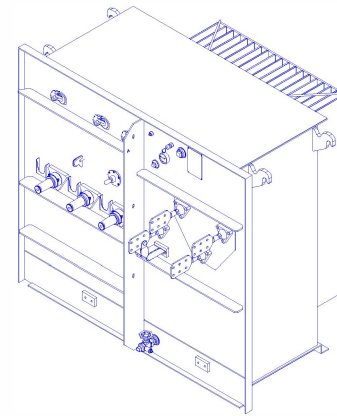
0002GP11K3XM

ITEM	DESCRIPTION
1	Bolted Cover w/ Nutguard
2	35kV 200 Amp HV Bushing Well w/ 15kV Insert
3	Cooling Corrugate
4	Cooper Bayonet Fusing w/ Dripshield
5	Drain Valve with Sampler
6	Ground Pad .50-13 Tap
7	Ground Strap and Pad
8	High Security 409 Stainless Steel Cabinet w/ Pentahead Door Bolts
9	Lifting Lug
10	1.2kV LV Bushing w/ 6 Hole Spade
11	Magnetic Oil Level Gauge
12	Nameplate
13	One Inch Upper Press. Conn. and Fill Plug
14	Two Position Loadbreak Switch
15	Parking Stand
16	Pressure Relief Valve
17	Provision Pressure Vacuum
18	Tank Base w/ Jacking and Rolling Facilities
19	5-Position Tap Changer
20	Thermometer Provision
21	9.0kV (7.65kV MCOV) Arrester (Internal)
22	H0/X0 Bushing




Cabinet Removed

0002KP12KFLA
REVISIONS



3PH Padmount Transformer 60Hz
750.0 kVA ONAN 65 AWR Mineral Oil
HV 4160D 95 kV BIL
LV 208Y/120 30 kV BIL
5.77 %Z

Munsell Green Topcoat
409 Stainless Steel Base Construction

MATERIAL:		 <i>Powering Business Worldwide</i>			
ALL DIMENSIONS ARE IN INCHES [MM]					
THE INFORMATION ON THIS DOCUMENT WAS CREATED BY EATON. IT WAS DISCLOSED IN CONFIDENCE AND IS ONLY TO BE USED FOR THE PURPOSE IN WHICH IT WAS SUPPLIED.		TITLE: Distribution Transformer Outline Drawing			
		DESC: COOPER POWER SERIES THREE-PHASE PAD-MOUNTED COMPARTMENTAL TYPE			
DWG: PTP	DATE: 4/29/2019	REF: P3D V03R09M13	SHEET #: 1 OF 1	SCALE: 1	REV: 00
THIS DRAWING HAS BEEN GENERATED FROM A 3D MODEL.		0002KP12KFLA			

Project Name: P2S Engineering-- Compton Student
Housing Electrical Equipment Sizing

General Order No:

Negotiation No: LAED0116X3K1

Alternate No: 0001

Item No.	Qty	Product	Description
	1	Switchboards	Pow-R-Line Xpert Switchboard, Front Access/ Front and Rear Align, Type 1, 208Y/120V 3-Phase 4-Wire, 2000 Tin Plated Copper, Minimum Interrupting Rating: 65kA, Bus Bracing Rating: 65kA, Depth: 30 In
		Designation	Main Distribution Bd A
Structure	1	2000 Amp Tin Plated CU Main Structure	<p>Compartment 1 - Metering 2000 Amp CT's only (3) wired to shorting block</p> <p>Compartment 2 - Breaker 2000A 3P PDG63M Breaker [2000A Frame] PXR20 LSI Trip Unit w/ ARMS, Trip Unit Amps, 2000A Local using breaker interface</p>
Structure	2	2000 Amp Tin Plated CU Distribution Structure	<p>Compartment 1 - Metering PRL-MPM Multipoint Metering with Display</p> <p>Compartment 2 - Blank Cover</p> <p>Compartment 3 - Breaker 200A, 3P PDG23G Breaker [225A Frame] Thermal Mag Trip - Standard</p> <p>Compartment 4 - Breaker 200A, 3P PDG23G Breaker [225A Frame] Thermal Mag Trip - Standard</p> <p>Compartment 5 - Breaker 200A, 3P PDG23G Breaker [225A Frame] Thermal Mag Trip - Standard</p> <p>Compartment 6 - Breaker 200A, 3P PDG23G Breaker [225A Frame] Thermal Mag Trip - Standard</p> <p>Compartment 7 - Breaker 200A, 3P PDG23G Breaker [225A Frame] Thermal Mag Trip - Standard</p> <p>Compartment 8 - Breaker 200A, 3P PDG23G Breaker [225A Frame] Thermal Mag Trip - Standard</p> <p>Compartment 9 - Breaker 200A, 3P PDG23G Breaker [225A Frame] Thermal Mag Trip - Standard</p> <p>Compartment 10 - Breaker 200A, 3P PDG23G Breaker [225A Frame] Thermal Mag Trip - Standard</p> <p>Compartment 11 - Breaker 200A, 3P PDG23G Breaker [225A Frame] Thermal Mag Trip - Standard</p> <p>Compartment 12 - Breaker 200A, 3P PDG23G Breaker [225A Frame] Thermal Mag Trip - Standard</p> <p>Compartment 13 - Breaker 200A, 3P PDG23G Breaker [225A Frame] Thermal Mag Trip - Standard</p> <p>Compartment 14 - Breaker 200A, 3P PDG23G Breaker [225A Frame] Thermal Mag Trip - Standard</p>

Project Name: P2S Engineering-- Compton Student Housing Electrical Equipment Sizing
General Order No:

Negotiation No: LAED0116X3K1
Alternate No: 0001

- Structure**
- 3 **2000 Amp Tin Plated CU Distribution Structure**
 - Compartment 1 - Metering PRL-MPM Multipoint Metering with Display**
 - Compartment 2 - Blank Cover**
 - Compartment 3 - Breaker 200A, 3P PDG23G Breaker [225A Frame]**
Thermal Mag Trip - Standard
 - Compartment 4 - Breaker 200A, 3P PDG23G Breaker [225A Frame]**
Thermal Mag Trip - Standard
 - Compartment 5 - Breaker 400A, 3P PDG33G Breaker [400A Frame]**
Thermal Mag Trip - Standard
 - Compartment 6 - Breaker 100A, 3P PDG23G Breaker [100A Frame]**
Thermal Mag Trip - Standard
 - Compartment 7 - Breaker 100A, 3P PDG23G Breaker [100A Frame]**
Thermal Mag Trip - Standard
 - Compartment 8 - Breaker 100A, 3P PDG23G Breaker [100A Frame]**
Thermal Mag Trip - Standard
 - Compartment 9 - Breaker 100A, 3P PDG23G Breaker [100A Frame]**
Thermal Mag Trip - Standard
 - Compartment 10 - Breaker 100A, 3P PDG23G Breaker [100A Frame]**
Thermal Mag Trip - Standard
 - Compartment 11 - Breaker 100A, 3P PDG23G Breaker [100A Frame]**
Thermal Mag Trip - Standard
 - Compartment 12 - Breaker 200A, 3P PDG23G Breaker [225A Frame]**
Thermal Mag Trip - Standard
 - Compartment 13 - Breaker 200A, 3P PDG23G Breaker [225A Frame]**
Thermal Mag Trip - Standard

Qty List of Materials

- 3 Tin Plated Copper Ground Bus
- 3 Seismic Freestanding Label (IBC/CBC Seismic Qualified)
- 1 2000 Amp Tin Plated CU Main Structure
- 1 2000 Amp CT's only (3) wired to shorting block
- 2 2000 Amp Tin Plated CU Distribution Structure
- 2 PRL-MPM Multipoint Metering with Display
- 2 PXMP METER BASE - 3PH/1PH 3W W/ ABCN VOLTAGE INPUT
- 2 Qty 1 Energy Portal Module
- 16 PRL-MPM Multipoint Metering Current Sensor, 225A Frame
- 23 MPM Current sensor
- 12 100mA Meter Module, 3-PH
- 6 PRL-MPM Multipoint Metering Current Sensor, 150A max. Frame
- 1 PRL-MPM Multipoint Metering Current Sensor, 400A Frame
- 1 2000A 3P PDG63M Breaker [2000A Frame], Trip 2000 A, PXR20 LSI w/ ARMS, (6) #4-500 kcmil, Mechanical, Bottom
- 16 200A, 3P PDG23G Breaker [225A Frame], Trip 200 A, Thermal Mag, (1) #4-4/0, Mechanical
- 6 100A, 3P PDG23G Breaker [100A Frame], Trip 100 A, Thermal Mag, (1) #14-1/0, Mechanical
- 1 400A, 3P PDG33G Breaker [400A Frame], Trip 400 A, Thermal Mag, (1) 2/0-500 kcmil, Mechanical

Eaton Selling Policy 25-000 applies.

All orders must be released for manufacture within 90 days of date of order entry. If approval drawings are required, drawings must be returned approved for release within 60 days of mailing. If drawings are not returned accordingly, and/or if shipment is delayed for any reason, the price of the order will increase by 1.0% per month or fraction thereof for the time the shipment is delayed.

Seller shall not be responsible for any failure to perform, or delay in performance of, its obligations resulting from the COVID-19 pandemic or any future epidemic, and Buyer shall not be entitled to any damages resulting thereof.

Switchboard General Information

Pow-R-Line Xpert - Specifications

Quantity: 1

Alignment: Front Access/ Front and Rear Align

Service: 208Y/120V 3-Phase 4-Wire

Minimum Interrupt Rating: 65 kA

Bus Specifications

Bus Amps: 2000

Bus Bracing Rating: 65kA

Neutral Amps: 2000

Bus Material: Tin Plated Copper

Heat Test

Ground Bus Material: Tin Plated Copper Ground Bus Bolted To Frame, (1) #6-350 kcmil Ground Lug

Incoming Information

Incoming Entry: Bottom

Incoming Location: Left

Incoming Qty & Size: Terminals, Mechanical, (6) #4-500 kcmil, Bottom

Structure Specifications

Non Service Entrance

Enclosure Type: Type 1

Seismic Label (IBC/CBC Seismic Qualified) - Freestanding

Refer to seismic installation data sheet TD01508002E and drawing 1A32496 for details.

Special Notes

Qty Description

Catalog Number

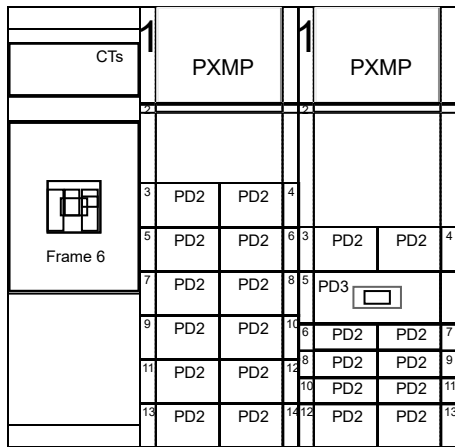
Enclosure properties

Struct #

Description/Modifications

1	Bottom incoming main device (Incoming Main Device/MLO Section)
2	50x chassis mounted feeders (Feeder Structure)
3	50x chassis mounted feeders (Feeder Structure)

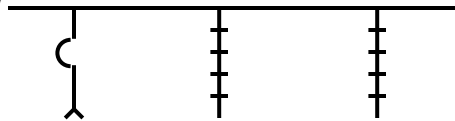
<p>The information on this document is created by Eaton Corporation. It is disclosed in confidence and it is only to be used for the purpose in which it is supplied.</p>	<p>PREPARED BY JOHN H JANSEN</p>	<p>DATE 1/16/2023</p>	<p>Eaton SumterSC</p>		
	<p>APPROVED BY</p>	<p>DATE</p>	<p>JOB NAME DESIGNATION</p>	<p>P2S Engineering-- Compton Student Housing Electrical Equ Main Distribution Bd A</p>	
	<p>VERSION 9.0.31.1</p>	<p>TYPE Switchboards</p>	<p>DRAWING TYPE CustAppr</p>		
<p>NEG-ALT Number LAED0116X3K1-0001</p>	<p>REVISION 0</p>	<p>DWG SIZE DwgA</p>	<p>G.O.</p>	<p>ITEM</p>	<p>SHEET 1 of 5</p>



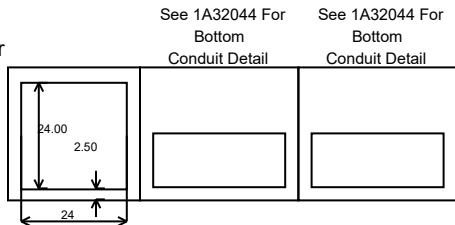
Front View

Struct	1 *	2 *	3 *
Depth	30	30	30
Width	30	36	36

Power Flow



Floor Plan



Total of 3 Structures, Total Weight of 2356 Weight-Lbs.

Structure	1	2	3		
Ship-Inches	30.00	36.00	36.00		
Ship-MM	762	914	914		
Width-Inches	30.00	36.00	36.00		
Width-MM	762	914	914		
Depth(Inner)-In.	30.00	30.00	30.00		
Depth(Inner)-MM	762	762	762		
Depth(Outer)-In.	30.00	30.00	30.00		
Depth(Outer)-MM	762	762	762		
Height-Inches	90.00	90.00	90.00		
Height-MM	2286	2286	2286		
Weight-Lbs.(Est.)	664	845	847		
Weight-Kg.(Est.)	301	383	384		

The information on this document is created by Eaton Corporation. It is disclosed in confidence and it is only to be used for the purpose in which it is supplied.

PREPARED BY JOHN H JANSEN	DATE 1/16/2023	Eaton		SumterSC	
APPROVED BY	DATE	JOB NAME P2S Engineering-- Compton Student Housing Electrical Equ	DESIGNATION Main Distribution Bd A		
VERSION 9.0.31.1	TYPE Switchboards	DRAWING TYPE CustAppr			
REVISION 0	DWG SIZE DwgA	G.O.	ITEM	SHEET 2 of 5	

NEG-ALT Number
LAED0116X3K1-0001

Switchboard Units Information

Str#	Unit	Description/Modifications	Nameplate
1		Main Breaker - Ind Mtd-2000A 3P PDG63M Breaker [2000A Frame], Trip 2000A., PXR20 LSI w/ ARMS, None ARMS Operation - Local using breaker interface Terminals, Mechanical, (6) #4-500 kcmil, Bottom Neutral Terminal, (6) #4-500 kcmil 2000 Amp CT's only (3) wired to shorting block	
2			
	1	PRL-MPM Multipoint Metering with Display Qty 1 Energy Portal Module	
	2	Blank Cover -1 X	
	3	Feeder Breaker - Chassis Mtd-200A, 3P PDG23G Breaker [225A Frame], Trip 200A., Thermal Mag Terminals, Mechanical, (1) #4-4/0 Current Sensor: PRL-MPM Multipoint Metering Current Sensor Neutral Terminal, (1) #6-350 kcmil	
	4	Feeder Breaker - Chassis Mtd-200A, 3P PDG23G Breaker [225A Frame], Trip 200A., Thermal Mag Terminals, Mechanical, (1) #4-4/0 Current Sensor: PRL-MPM Multipoint Metering Current Sensor Neutral Terminal, (1) #6-350 kcmil	
	5	Feeder Breaker - Chassis Mtd-200A, 3P PDG23G Breaker [225A Frame], Trip 200A., Thermal Mag Terminals, Mechanical, (1) #4-4/0 Current Sensor: PRL-MPM Multipoint Metering Current Sensor Neutral Terminal, (1) #6-350 kcmil	
	6	Feeder Breaker - Chassis Mtd-200A, 3P PDG23G Breaker [225A Frame], Trip 200A., Thermal Mag Terminals, Mechanical, (1) #4-4/0 Current Sensor: PRL-MPM Multipoint Metering Current Sensor Neutral Terminal, (1) #6-350 kcmil	
	7	Feeder Breaker - Chassis Mtd-200A, 3P PDG23G Breaker [225A Frame], Trip 200A., Thermal Mag Terminals, Mechanical, (1) #4-4/0 Current Sensor: PRL-MPM Multipoint Metering Current Sensor Neutral Terminal, (1) #6-350 kcmil	
	8	Feeder Breaker - Chassis Mtd-200A, 3P PDG23G Breaker [225A Frame], Trip 200A., Thermal Mag Terminals, Mechanical, (1) #4-4/0 Current Sensor: PRL-MPM Multipoint Metering Current Sensor Neutral Terminal, (1) #6-350 kcmil	
	9	Feeder Breaker - Chassis Mtd-200A, 3P PDG23G Breaker [225A Frame], Trip 200A., Thermal Mag Terminals, Mechanical, (1) #4-4/0 Current Sensor: PRL-MPM Multipoint Metering Current Sensor	

<p>The information on this document is created by Eaton Corporation. It is disclosed in confidence and it is only to be used for the purpose in which it is supplied.</p>	PREPARED BY	DATE	Eaton SumterSC		
	JOHN H JANSEN	1/16/2023			
	APPROVED BY	DATE	JOB NAME	P2S Engineering-- Compton Student Housing Electrical Equ	
		DESIGNATION	Main Distribution Bd A		
	VERSION	TYPE	DRAWING TYPE		
	9.0.31.1	Switchboards	CustAppr		
NEG-ALT Number	REVISION	DWG SIZE	G.O.	ITEM	SHEET
LAED0116X3K1-0001	0	DwgA			3 of 5

Neutral Terminal, (1) #6-350 kcmil

- 10 Feeder Breaker - Chassis Mtd-200A, 3P PDG23G Breaker [225A Frame], Trip 200A., Thermal Mag
Terminals, Mechanical, (1) #4-4/0
Current Sensor: PRL-MPM Multipoint Metering Current Sensor
Neutral Terminal, (1) #6-350 kcmil
- 11 Feeder Breaker - Chassis Mtd-200A, 3P PDG23G Breaker [225A Frame], Trip 200A., Thermal Mag
Terminals, Mechanical, (1) #4-4/0
Current Sensor: PRL-MPM Multipoint Metering Current Sensor
Neutral Terminal, (1) #6-350 kcmil
- 12 Feeder Breaker - Chassis Mtd-200A, 3P PDG23G Breaker [225A Frame], Trip 200A., Thermal Mag
Terminals, Mechanical, (1) #4-4/0
Current Sensor: PRL-MPM Multipoint Metering Current Sensor
Neutral Terminal, (1) #6-350 kcmil
- 13 Feeder Breaker - Chassis Mtd-200A, 3P PDG23G Breaker [225A Frame], Trip 200A., Thermal Mag
Terminals, Mechanical, (1) #4-4/0
Current Sensor: PRL-MPM Multipoint Metering Current Sensor
Neutral Terminal, (1) #6-350 kcmil
- 14 Feeder Breaker - Chassis Mtd-200A, 3P PDG23G Breaker [225A Frame], Trip 200A., Thermal Mag
Terminals, Mechanical, (1) #4-4/0
Current Sensor: PRL-MPM Multipoint Metering Current Sensor
Neutral Terminal, (1) #6-350 kcmil

3

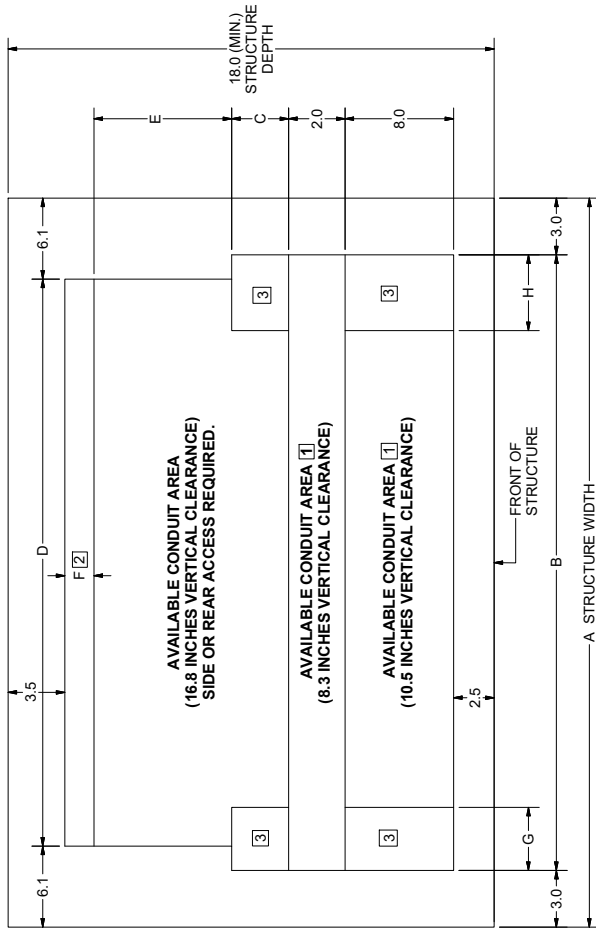
- 1 PRL-MPM Multipoint Metering with Display
Qty 1 Energy Portal Module
- 2 Blank Cover -1 X
- 3 Feeder Breaker - Chassis Mtd-200A, 3P PDG23G Breaker [225A Frame], Trip 200A., Thermal Mag
Terminals, Mechanical, (1) #4-4/0
Current Sensor: PRL-MPM Multipoint Metering Current Sensor
Neutral Terminal, (1) #6-350 kcmil
- 4 Feeder Breaker - Chassis Mtd-200A, 3P PDG23G Breaker [225A Frame], Trip 200A., Thermal Mag
Terminals, Mechanical, (1) #4-4/0
Current Sensor: PRL-MPM Multipoint Metering Current Sensor
Neutral Terminal, (1) #6-350 kcmil
- 5 Feeder Breaker - Chassis Mtd-400A, 3P PDG33G Breaker [400A Frame], Trip 400A., Thermal Mag
Terminals, Mechanical, (1) 2/0-500 kcmil
Current Sensor: PRL-MPM Multipoint Metering Current Sensor
Neutral Terminal, (1) #4-500 kcmil

The information on this document is created by Eaton Corporation. It is disclosed in confidence and it is only to be used for the purpose in which it is supplied.	PREPARED BY	DATE	Eaton SumterSC		
	JOHN H JANSEN	1/16/2023			
	APPROVED BY	DATE	JOB NAME	P2S Engineering-- Compton Student Housing Electrical Equ	
			DESIGNATION	Main Distribution Bd A	
	VERSION		TYPE	DRAWING TYPE	
	9.0.31.1		Switchboards	CustAppr	
NEG-ALT Number	REVISION	DWG SIZE	G.O.	ITEM	SHEET
LAED0116X3K1-0001	0	DwgA			4 of 5

- 6 Feeder Breaker - Chassis Mtd-100A, 3P PDG23G Breaker [100A Frame], Trip 100A., Thermal Mag
Terminals, Mechanical, (1) #14-1/0
Current Sensor: PRL-MPM Multipoint Metering Current Sensor
Neutral Terminal, (1) #14-1/0
- 7 Feeder Breaker - Chassis Mtd-100A, 3P PDG23G Breaker [100A Frame], Trip 100A., Thermal Mag
Terminals, Mechanical, (1) #14-1/0
Current Sensor: PRL-MPM Multipoint Metering Current Sensor
Neutral Terminal, (1) #14-1/0
- 8 Feeder Breaker - Chassis Mtd-100A, 3P PDG23G Breaker [100A Frame], Trip 100A., Thermal Mag
Terminals, Mechanical, (1) #14-1/0
Current Sensor: PRL-MPM Multipoint Metering Current Sensor
Neutral Terminal, (1) #14-1/0
- 9 Feeder Breaker - Chassis Mtd-100A, 3P PDG23G Breaker [100A Frame], Trip 100A., Thermal Mag
Terminals, Mechanical, (1) #14-1/0
Current Sensor: PRL-MPM Multipoint Metering Current Sensor
Neutral Terminal, (1) #14-1/0
- 10 Feeder Breaker - Chassis Mtd-100A, 3P PDG23G Breaker [100A Frame], Trip 100A., Thermal Mag
Terminals, Mechanical, (1) #14-1/0
Current Sensor: PRL-MPM Multipoint Metering Current Sensor
Neutral Terminal, (1) #14-1/0
- 11 Feeder Breaker - Chassis Mtd-100A, 3P PDG23G Breaker [100A Frame], Trip 100A., Thermal Mag
Terminals, Mechanical, (1) #14-1/0
Current Sensor: PRL-MPM Multipoint Metering Current Sensor
Neutral Terminal, (1) #14-1/0
- 12 Feeder Breaker - Chassis Mtd-200A, 3P PDG23G Breaker [225A Frame], Trip 200A., Thermal Mag
Terminals, Mechanical, (1) #4-4/0
Current Sensor: PRL-MPM Multipoint Metering Current Sensor
Neutral Terminal, (1) #6-350 kcmil
- 13 Feeder Breaker - Chassis Mtd-200A, 3P PDG23G Breaker [225A Frame], Trip 200A., Thermal Mag
Terminals, Mechanical, (1) #4-4/0
Current Sensor: PRL-MPM Multipoint Metering Current Sensor
Neutral Terminal, (1) #6-350 kcmil

The information on this document is created by Eaton Corporation. It is disclosed in confidence and it is only to be used for the purpose in which it is supplied.	PREPARED BY	DATE	Eaton SumterSC		
	JOHN H JANSEN	1/16/2023			
	APPROVED BY	DATE	JOB NAME	P2S Engineering-- Compton Student Housing Electrical Equ Main Distribution Bd A	
		DESIGNATION			
	VERSION	TYPE	DRAWING TYPE CustAppr		
	9.0.31.1	Switchboards			
NEG-ALT Number	REVISION	DWG SIZE	G.O.	ITEM	SHEET
LAED0116X3K1-0001	0	DwgA			5 of 5

**FLOOR PLAN
DISTRIBUTION CHASSIS**

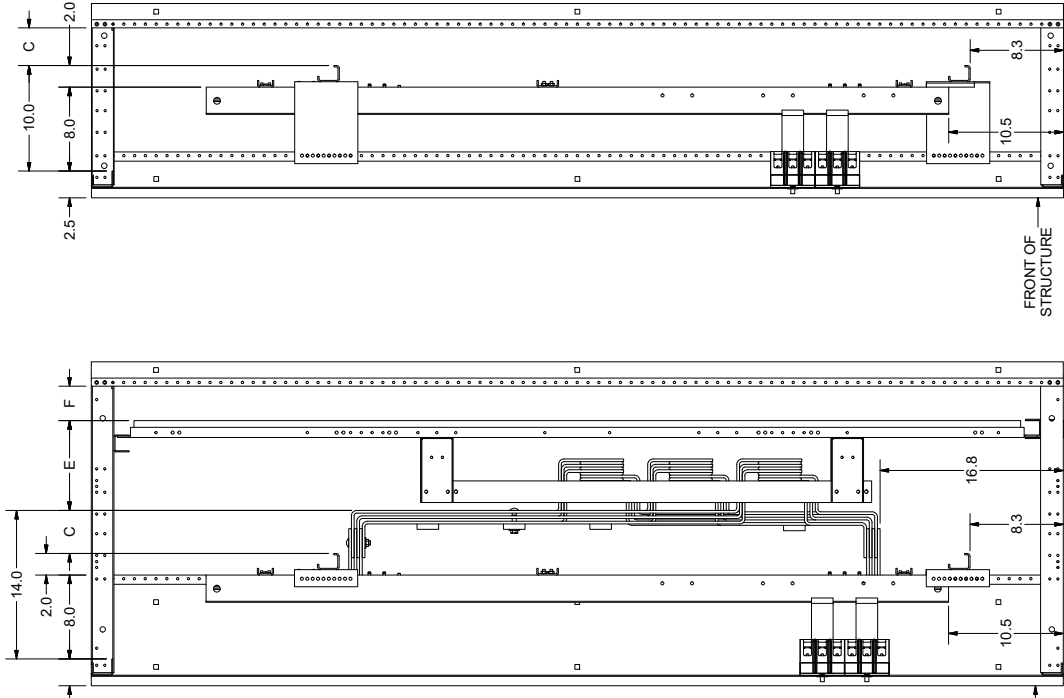


AVAILABLE CONDUIT AREA [1]
(16.8 INCHES VERTICAL CLEARANCE)
SIDE OR REAR ACCESS REQUIRED.

AVAILABLE CONDUIT AREA [1]
(8.3 INCHES VERTICAL CLEARANCE)

AVAILABLE CONDUIT AREA [1]
(10.5 INCHES VERTICAL CLEARANCE)

STRUCTURE DIMENSIONS	A (INCHES)	B (INCHES)	C (INCHES)	D (INCHES)	E (INCHES)	F (INCHES)	G (INCHES)	H (INCHES)
36W X 18D	36.0	30.0	2.0	23.8	N/A	N/A	3.0	5.0
45W X 18D	45.0	39.0	2.0	32.8	N/A	N/A	5.0	12.0
51W X 18D	51.0	45.0	2.0	38.8	N/A	N/A	11.5	11.5
36W X 24D	36.0	30.0	4.0	23.8	4.0	N/A	3.0	5.0
45W X 24D	45.0	39.0	4.0	32.8	4.0	N/A	5.0	12.0
51W X 24D	51.0	45.0	4.0	38.8	4.0	N/A	11.5	11.5
36W X 30D	36.0	30.0	4.0	23.8	8.5	1.5	3.0	5.0
45W X 30D	45.0	39.0	4.0	32.8	8.5	1.5	5.0	12.0
51W X 30D	51.0	45.0	4.0	38.8	8.5	1.5	11.5	11.5
36W X 36D	36.0	30.0	4.0	23.8	8.5	7.5	3.0	5.0
45W X 36D	45.0	39.0	4.0	32.8	8.5	7.5	5.0	12.0
51W X 36D	51.0	45.0	4.0	38.8	8.5	7.5	11.5	11.5
36W X 48D	36.0	30.0	4.0	23.8	8.5	19.5	3.0	5.0
45W X 48D	45.0	39.0	4.0	32.8	8.5	19.5	5.0	12.0
51W X 48D	51.0	45.0	4.0	38.8	8.5	19.5	11.5	11.5
36W X 54D	36.0	30.0	4.0	23.8	8.5	25.5	3.0	5.0
45W X 54D	45.0	39.0	4.0	32.8	8.5	25.5	5.0	12.0
51W X 54D	51.0	45.0	4.0	38.8	8.5	25.5	11.5	11.5
36W X 66D	36.0	30.0	4.0	23.8	8.5	37.5	3.0	5.0
45W X 66D	45.0	39.0	4.0	32.8	8.5	37.5	5.0	12.0
51W X 66D	51.0	45.0	4.0	38.8	8.5	37.5	11.5	11.5



- NOTES:
- FOR FUSIBLE SWITCHES, ALL CABLE ENTRY AREA BEHIND DISTRIBUTION CHASSIS AND CROSS BUS, REQUIRES SIDE OR REAR ACCESS.
 - CONDUIT AREA AVAILABLE WITH SIDE OR REAR ACCESS 90.00 INCHES VERTICAL CLEARANCE.
 - OPEN WIREWAY 90.00 INCHES VERTICAL CLEARANCE.

THE INFORMATION ON THIS DRAWING IS THE PROPERTY OF P2S ENGINEERING AND IS ONLY TO BE USED FOR THE PURPOSE IN WHICH IT IS SUPPLIED.	DATE	10/7/2011	DATE	10/7/2011
DESIGNED BY	DSF	DESIGNED BY	DSF	
DRAWN BY	RBH	DRAWN BY	RBH	
CHECKED BY		CHECKED BY		
APPROVED BY		APPROVED BY		
SCALE	NTS	SCALE	NTS	
PROJECT NO.	3341	PROJECT NO.	3341	
REVISION	6	REVISION	6	
TITLE	FLOOR PLAN - DISTRIBUTION CHASSIS	TITLE	FLOOR PLAN - DISTRIBUTION CHASSIS	
DWG NO.	1A32044	DWG NO.	1A32044	
TYPE	STANDARD	TYPE	STANDARD	
SHEET	1 OF 1	SHEET	1 OF 1	

GO/NEG-Alt-Date: LAED0116X3K1-0001-1/16/2023	Job Name: P2S Engineering-- Compton Student Housing Electrical Equipment
Item Number:	Designation: Main Distribution Bd A
Catalog Number:	

Project Name: P2S Engineering-- Compton Student
Housing Electrical Equipment Sizing

General Order No:

Negotiation No: LAED0116X3K1

Alternate No: 0000

Item No.	Qty	Product	Description
	1	Switchboards	Pow-R-Line Xpert Switchboard, Front Access/ Front and Rear Align, Type 1, 208Y/120V 3-Phase 4-Wire, 1600 Tin Plated Copper, Minimum Interrupting Rating: 65kA, Bus Bracing Rating: 65kA, Depth: 30 In

Designation Bldg B Main Dist. Board

Structure **1** **1600 Amp Tin Plated CU Main Structure**
Compartment 1 - Metering 1600 Amp CT's only (3) wired to shorting block
 Test Block
Compartment 2 - Breaker 1600A 3P PDG63M Breaker [1600A Frame]
 PXR20 LSI Trip Unit w/ ARMS,
 Trip Unit Amps, 1600A
 Local using breaker interface

Structure **2** **1600 Amp Tin Plated CU Distribution Structure**
Compartment 1 - Metering 15X Compartment W/ Door
Compartment 2 - Blank Cover
Compartment 3 - Breaker 100A, 3P PDG23G Breaker [100A Frame]
 Thermal Mag Trip - Standard
Compartment 4 - Breaker 100A, 3P PDG23G Breaker [100A Frame]
 Thermal Mag Trip - Standard
Compartment 5 - Breaker 600A, 3P PDG33G Breaker [600A Frame]
 PXR20 LSI Trip Unit
 Trip Unit Amps, 600A
Compartment 6 - Breaker 600A, 3P PDG33G Breaker [600A Frame]
 PXR20 LSI Trip Unit
 Trip Unit Amps, 600A
Compartment 7 - Breaker 600A, 3P PDG33G Breaker [600A Frame]
 PXR20 LSI Trip Unit
 Trip Unit Amps, 600A

Qty	List of Materials
2	Tin Plated Copper Ground Bus
2	Seismic Freestanding Label (IBC/CBC Seismic Qualified)
1	1600 Amp Tin Plated CU Main Structure
1	1600 Amp CT's only (3) wired to shorting block
1	Test Block
1	1600 Amp Tin Plated CU Distribution Structure
1	15X Compartment W/ Door
1	Compartment door in section II for housing EMON DMON metering (Note this is an approximation)
1	1600A 3P PDG63M Breaker [1600A Frame], Trip 1600 A, PXR20 LSI w/ ARMS, (5) #4-500 kcmil, Mechanical, Bottom
3	600A, 3P PDG33G Breaker [600A Frame], Trip 600 A, PXR20 LSI, (2) #2-500 kcmil, Mechanical
2	100A, 3P PDG23G Breaker [100A Frame], Trip 100 A, Thermal Mag, (1) #14-1/0, Mechanical

Project Name: P2S Engineering-- Compton Student Housing Electrical Equipment Sizing
General Order No:

Negotiation No: LAED0116X3K1
Alternate No: 0000

Item No.	Qty	Product	Description
	1	Switchboards	Pow-R-Line Xpert Switchboard, Front Access/ Front and Rear Align, Type 1, 208Y/120V 3-Phase 4-Wire, 600 Tin Plated Copper, Minimum Interrupting Rating: 65kA, Bus Bracing Rating: 65kA, Depth: 18 In

Designation Dist. Bd B1

Structure

- 1 **600 Amp Tin Plated CU Distribution Structure**
- Compartment 1 - Metering 8X Compartment W/ Door**
- Compartment 2 - Breaker 200A, 3P PDG23G Breaker [225A Frame]**
Thermal Mag Trip - Standard
- Compartment 3 - Breaker 200A, 3P PDG23G Breaker [225A Frame]**
Thermal Mag Trip - Standard
- Compartment 4 - Breaker 200A, 3P PDG23G Breaker [225A Frame]**
Thermal Mag Trip - Standard
- Compartment 5 - Breaker 200A, 3P PDG23G Breaker [225A Frame]**
Thermal Mag Trip - Standard
- Compartment 6 - Breaker 100A, 3P PDG23G Breaker [100A Frame]**
Thermal Mag Trip - Standard
- Compartment 7 - Breaker 100A, 3P PDG23G Breaker [100A Frame]**
Thermal Mag Trip - Standard
- Compartment 8 - Breaker 100A, 3P PDG23G Breaker [100A Frame]**
Thermal Mag Trip - Standard
- Compartment 9 - Breaker 100A, 3P PDG23G Breaker [100A Frame]**
Thermal Mag Trip - Standard
- Compartment 10 - Breaker 100A, 3P PDG23G Breaker [100A Frame]**
Thermal Mag Trip - Standard
- Compartment 11 - Breaker 100A, 3P PDG23G Breaker [100A Frame]**
Thermal Mag Trip - Standard
- Compartment 12 - Breaker 100A, 3P PDG23G Breaker [100A Frame]**
Thermal Mag Trip - Standard
- Compartment 13 - Breaker 100A, 3P PDG23G Breaker [100A Frame]**
Thermal Mag Trip - Standard
- Compartment 14 - Breaker 100A, 3P PDG23G Breaker [100A Frame]**
Thermal Mag Trip - Standard
- Compartment 15 - Breaker 100A, 3P PDG23G Breaker [100A Frame]**
Thermal Mag Trip - Standard
- Compartment 16 - Breaker 100A, 3P PDG23G Breaker [100A Frame]**
Thermal Mag Trip - Standard
- Compartment 17 - Breaker 100A, 3P PDG23G Breaker [100A Frame]**
Thermal Mag Trip - Standard
- Compartment 18 - Breaker 100A, 3P PDG23G Breaker [100A Frame]**
Thermal Mag Trip - Standard
- Compartment 19 - Breaker 100A, 3P PDG23G Breaker [100A Frame]**
Thermal Mag Trip - Standard
- Compartment 20 - Breaker 100A, 3P PDG23G Breaker [100A Frame]**
Thermal Mag Trip - Standard
- Compartment 21 - Breaker 100A, 3P PDG23G Breaker [100A Frame]**
Thermal Mag Trip - Standard
- Compartment 22 - Breaker 600A, 3P PDG33G Breaker [600A Frame]**
PXR20 LSI Trip Unit
Trip Unit Amps, 600A

Qty List of Materials

- 1 Tin Plated Copper Ground Bus
- 1 Seismic Freestanding Label (IBC/CBC Seismic Qualified)
- 1 600 Amp Tin Plated CU Distribution Structure
- 1 8X Compartment W/ Door
- 1 8X space for EMON DMON metering (note this is an approximation --This

Project Name: P2S Engineering-- Compton Student
Housing Electrical Equipment Sizing

General Order No:

Negotiation No: LAED0116X3K1

Alternate No: 0000

- Qty List of Materials**
to be done by contractor
- 1 600A, 3P PDG33G Breaker [600A Frame], Trip 600 A, PXR20 LSI, (2) #2-500 kcmil, Mechanical, Bottom
 - 16 100A, 3P PDG23G Breaker [100A Frame], Trip 100 A, Thermal Mag, (1) #14-1/0, Mechanical
 - 4 200A, 3P PDG23G Breaker [225A Frame], Trip 200 A, Thermal Mag, (1) #4-4/0, Mechanical

Item No.	Qty	Product	Description
	1	Switchboards	Pow-R-Line Xpert Switchboard, Front Access/ Front and Rear Align, Type 1, 208Y/120V 3-Phase 4-Wire, 600 Tin Plated Copper, Minimum Interrupting Rating: 65kA, Bus Bracing Rating: 65kA, Depth: 18 In

Designation Dist. Bd B2

- Structure**
- 1 **600 Amp Tin Plated CU Distribution Structure**
 - Compartment 1 - Metering 8X Compartment W/ Door**
 - Compartment 2 - Breaker 3P PD2 Provision**
 - Compartment 3 - Breaker 3P PD2 Provision**
 - Compartment 4 - Breaker 3P PD2 Provision**
 - Compartment 5 - Breaker 3P PD2 Provision**
 - Compartment 6 - Breaker 100A, 3P PDG23G Breaker [100A Frame]**
Thermal Mag Trip - Standard
 - Compartment 7 - Breaker 100A, 3P PDG23G Breaker [100A Frame]**
Thermal Mag Trip - Standard
 - Compartment 8 - Breaker 100A, 3P PDG23G Breaker [100A Frame]**
Thermal Mag Trip - Standard
 - Compartment 9 - Breaker 100A, 3P PDG23G Breaker [100A Frame]**
Thermal Mag Trip - Standard
 - Compartment 10 - Breaker 100A, 3P PDG23G Breaker [100A Frame]**
Thermal Mag Trip - Standard
 - Compartment 11 - Breaker 100A, 3P PDG23G Breaker [100A Frame]**
Thermal Mag Trip - Standard
 - Compartment 12 - Breaker 100A, 3P PDG23G Breaker [100A Frame]**
Thermal Mag Trip - Standard
 - Compartment 13 - Breaker 100A, 3P PDG23G Breaker [100A Frame]**
Thermal Mag Trip - Standard
 - Compartment 14 - Breaker 100A, 3P PDG23G Breaker [100A Frame]**
Thermal Mag Trip - Standard
 - Compartment 15 - Breaker 100A, 3P PDG23G Breaker [100A Frame]**
Thermal Mag Trip - Standard
 - Compartment 16 - Breaker 100A, 3P PDG23G Breaker [100A Frame]**
Thermal Mag Trip - Standard
 - Compartment 17 - Breaker 100A, 3P PDG23G Breaker [100A Frame]**
Thermal Mag Trip - Standard
 - Compartment 18 - Breaker 100A, 3P PDG23G Breaker [100A Frame]**
Thermal Mag Trip - Standard
 - Compartment 19 - Breaker 100A, 3P PDG23G Breaker [100A Frame]**
Thermal Mag Trip - Standard
 - Compartment 20 - Breaker 100A, 3P PDG23G Breaker [100A Frame]**
Thermal Mag Trip - Standard
 - Compartment 21 - Breaker 100A, 3P PDG23G Breaker [100A Frame]**
Thermal Mag Trip - Standard
 - Compartment 22 - Breaker 600A, 3P PDG33G Breaker [600A Frame]**
PXR20 LSI Trip Unit
Trip Unit Amps, 600A

Detail Bill of Material

Project Name: P2S Engineering-- Compton Student
Housing Electrical Equipment Sizing

Negotiation No: LAED0116X3K1

General Order No:

Alternate No: 0000

Qty	List of Materials
1	Tin Plated Copper Ground Bus
1	Seismic Freestanding Label (IBC/CBC Seismic Qualified)
1	600 Amp Tin Plated CU Distribution Structure
1	8X Compartment W/ Door
1	8X space for EMON DMON metering (note this is an approximation --This to be done by contractor
1	600A, 3P PDG33G Breaker [600A Frame], Trip 600 A, PXR20 LSI, (2) #2-500 kcmil, Mechanical, Bottom
16	100A, 3P PDG23G Breaker [100A Frame], Trip 100 A, Thermal Mag, (1) #14-1/0, Mechanical
4	3P PD2 Provision

Item No.	Qty	Product	Description
	1	Switchboards	Pow-R-Line Xpert Switchboard, Front Access/ Front and Rear Align, Type 1, 208Y/120V 3-Phase 4-Wire, 600 Tin Plated Copper, Minimum Interrupting Rating: 65kA, Bus Bracing Rating: 65kA, Depth: 18 In

Designation Dist. Bd B3

Project Name: P2S Engineering-- Compton Student Housing Electrical Equipment Sizing
General Order No:

Negotiation No: LAED0116X3K1
Alternate No: 0000

- Structure**
- 1 **600 Amp Tin Plated CU Distribution Structure**
 - Compartment 1 - Metering 8X Compartment W/ Door**
 - Compartment 2 - Breaker 3P PD2 Provision**
 - Compartment 3 - Breaker 3P PD2 Provision**
 - Compartment 4 - Breaker 3P PD2 Provision**
 - Compartment 5 - Breaker 3P PD2 Provision**
 - Compartment 6 - Breaker 100A, 3P PDG23G Breaker [100A Frame]**
Thermal Mag Trip - Standard
 - Compartment 7 - Breaker 100A, 3P PDG23G Breaker [100A Frame]**
Thermal Mag Trip - Standard
 - Compartment 8 - Breaker 100A, 3P PDG23G Breaker [100A Frame]**
Thermal Mag Trip - Standard
 - Compartment 9 - Breaker 100A, 3P PDG23G Breaker [100A Frame]**
Thermal Mag Trip - Standard
 - Compartment 10 - Breaker 100A, 3P PDG23G Breaker [100A Frame]**
Thermal Mag Trip - Standard
 - Compartment 11 - Breaker 100A, 3P PDG23G Breaker [100A Frame]**
Thermal Mag Trip - Standard
 - Compartment 12 - Breaker 100A, 3P PDG23G Breaker [100A Frame]**
Thermal Mag Trip - Standard
 - Compartment 13 - Breaker 100A, 3P PDG23G Breaker [100A Frame]**
Thermal Mag Trip - Standard
 - Compartment 14 - Breaker 100A, 3P PDG23G Breaker [100A Frame]**
Thermal Mag Trip - Standard
 - Compartment 15 - Breaker 100A, 3P PDG23G Breaker [100A Frame]**
Thermal Mag Trip - Standard
 - Compartment 16 - Breaker 100A, 3P PDG23G Breaker [100A Frame]**
Thermal Mag Trip - Standard
 - Compartment 17 - Breaker 100A, 3P PDG23G Breaker [100A Frame]**
Thermal Mag Trip - Standard
 - Compartment 18 - Breaker 100A, 3P PDG23G Breaker [100A Frame]**
Thermal Mag Trip - Standard
 - Compartment 19 - Breaker 100A, 3P PDG23G Breaker [100A Frame]**
Thermal Mag Trip - Standard
 - Compartment 20 - Breaker 100A, 3P PDG23G Breaker [100A Frame]**
Thermal Mag Trip - Standard
 - Compartment 21 - Breaker 100A, 3P PDG23G Breaker [100A Frame]**
Thermal Mag Trip - Standard
 - Compartment 22 - Breaker 600A, 3P PDG33G Breaker [600A Frame]**
PXR20 LSI Trip Unit
Trip Unit Amps, 600A

- Qty List of Materials**
- 1 Tin Plated Copper Ground Bus
 - 1 Seismic Freestanding Label (IBC/CBC Seismic Qualified)
 - 1 600 Amp Tin Plated CU Distribution Structure
 - 1 8X Compartment W/ Door
 - 1 8X space for EMON DMON metering (note this is an approximation --This to be done by contractor
 - 1 600A, 3P PDG33G Breaker [600A Frame], Trip 600 A, PXR20 LSI, (2) #2-500 kcmil, Mechanical, Bottom
 - 16 100A, 3P PDG23G Breaker [100A Frame], Trip 100 A, Thermal Mag, (1) #14-1/0, Mechanical
 - 4 3P PD2 Provision

Eaton Selling Policy 25-000 applies.

All orders must be released for manufacture within 90 days of date of order entry. If approval drawings are required, drawings must be returned approved for release within 60 days of mailing. If drawings are not returned accordingly, and/or if shipment is delayed for any reason, the price of the order will increase by 1.0% per month or fraction thereof for the time the shipment is delayed.



Detail Bill of Material

Project Name:	P2S Engineering-- Compton Student Housing Electrical Equipment Sizing	Negotiation No:	LAED0116X3K1
General Order No:		Alternate No:	0000

Seller shall not be responsible for any failure to perform, or delay in performance of, its obligations resulting from the COVID-19 pandemic or any future epidemic, and Buyer shall not be entitled to any damages resulting thereof.

Switchboard General Information

Pow-R-Line Xpert - Specifications

Quantity: 1

Alignment: Front Access/ Front and Rear Align

Service: 208Y/120V 3-Phase 4-Wire

Minimum Interrupt Rating: 65 kA

Bus Specifications

Bus Amps: 1600

Bus Bracing Rating: 65kA

Neutral Amps: 1600

Bus Material: Tin Plated Copper

Heat Test

Ground Bus Material: Tin Plated Copper Ground Bus Bolted To Frame, (1) #6-350 kcmil Ground Lug

Incoming Information

Incoming Entry: Bottom

Incoming Location: Left

Incoming Qty & Size: Terminals, Mechanical, (5) #4-500 kcmil, Bottom

Structure Specifications

Non Service Entrance

Enclosure Type: Type 1

Seismic Label (IBC/CBC Seismic Qualified) - Freestanding

Refer to seismic installation data sheet TD01508002E and drawing 1A32496 for details.

Special Notes

Qty Description

Catalog Number

1 Compartment door in section II for housing EMON DMON CN409778 metering (Note this is an approximation)

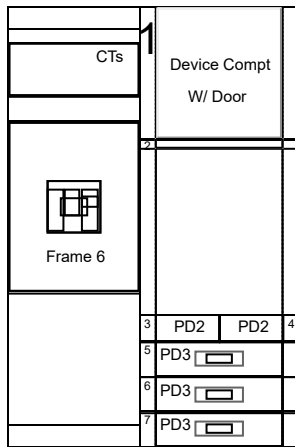
Enclosure properties

Struct #

Description/Modifications

- | | |
|---|--|
| 1 | Bottom incoming main device (Incoming Main Device/MLO Section) |
| 2 | 50x chassis mounted feeders (Feeder Structure) |

<p>The information on this document is created by Eaton Corporation. It is disclosed in confidence and it is only to be used for the purpose in which it is supplied.</p>	PREPARED BY	DATE	Eaton SumterSC		
	JOHN H JANSEN	1/15/2023			
	APPROVED BY	DATE	JOB NAME	P2S Engineering-- Compton Student Housing Electrical Equ Bldg B Main Dist. Board	
		DESIGNATION			
	VERSION	TYPE	DRAWING TYPE CustAppr		
	9.0.31.1	Switchboards			
NEG-ALT Number	REVISION	DWG SIZE	G.O.	ITEM	SHEET
LAED0116X3K1-0000	0	DwgA			1 of 3



Front View

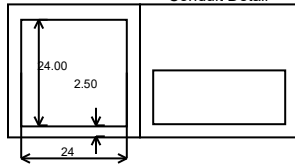
Struct	1 *	2 *
Depth	30	30
Width	30	36

Power Flow



See 1A32044 For Bottom Conduit Detail

Floor Plan



Total of 2 Structures, Total Weight of 1323 Weight-Lbs.

Total of 2 Structures, Total Width of 66 Inches

Structure	1	2			
Ship-Inches	30.00	36.00			
Ship-MM	762	914			
Width-Inches	30.00	36.00			
Width-MM	762	914			
Depth(Inner)-In.	30.00	30.00			
Depth(Inner)-MM	762	762			
Depth(Outer)-In.	30.00	30.00			
Depth(Outer)-MM	762	762			
Height-Inches	90.00	90.00			
Height-MM	2286	2286			
Weight-Lbs.(Est.)	547	776			
Weight-Kg.(Est.)	248	351			

The information on this document is created by Eaton Corporation. It is disclosed in confidence and it is only to be used for the purpose in which it is supplied.

PREPARED BY JOHN H JANSEN	DATE 1/15/2023	Eaton		SumterSC	
APPROVED BY	DATE	JOB NAME P2S Engineering-- Compton Student Housing Electrical Equ	Bldg B Main Dist. Board		
VERSION 9.0.31.1	TYPE Switchboards	DRAWING TYPE CustAppr			
REVISION 0	DWG SIZE DwgA	G.O.	ITEM	SHEET 2 of 3	

NEG-ALT Number
LAED0116X3K1-0000

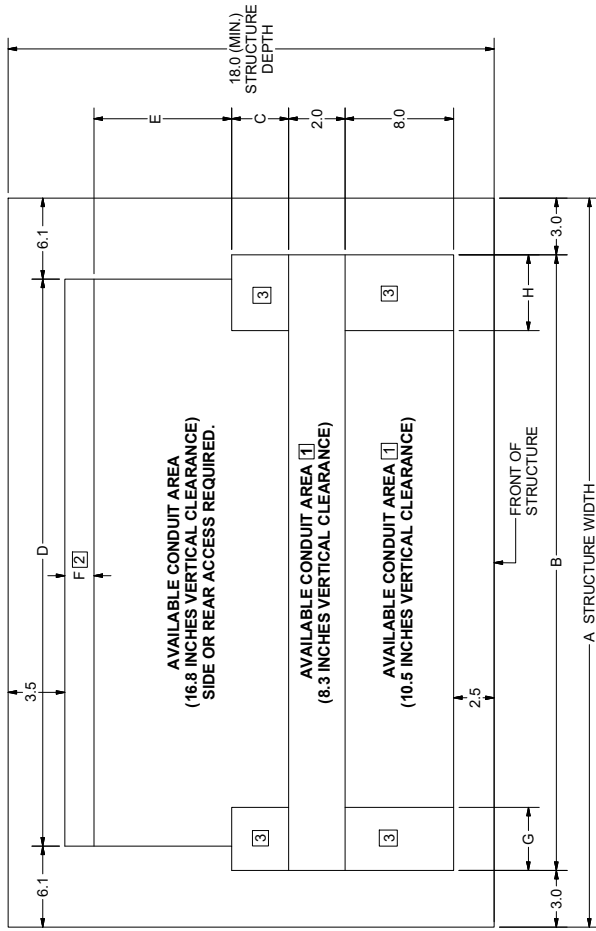
Switchboard Units Information

Str#	Unit	Description/Modifications	Nameplate
1		Main Breaker - Ind Mtd-1600A 3P PDG63M Breaker [1600A Frame], Trip 1600A., PXR20 LSI w/ ARMS, None ARMS Operation - Local using breaker interface Terminals, Mechanical, (5) #4-500 kcmil, Bottom Neutral Terminal, (5) #4-500 kcmil 1600 Amp CT's only (3) wired to shorting block Test Block	
2			
	1	15X Compartment W/ Door	
	2	Blank Cover -1 X	
	3	Feeder Breaker - Chassis Mtd-100A, 3P PDG23G Breaker [100A Frame], Trip 100A., Thermal Mag Terminals, Mechanical, (1) #14-1/0 Neutral Terminal, (1) #14-1/0	
	4	Feeder Breaker - Chassis Mtd-100A, 3P PDG23G Breaker [100A Frame], Trip 100A., Thermal Mag Terminals, Mechanical, (1) #14-1/0 Neutral Terminal, (1) #14-1/0	
	5	Feeder Breaker - Chassis Mtd-600A, 3P PDG33G Breaker [600A Frame], Trip 600A., PXR20 LSI, None Terminals, Mechanical, (2) #2-500 kcmil Neutral Terminal, (2) #4-500 kcmil	
	6	Feeder Breaker - Chassis Mtd-600A, 3P PDG33G Breaker [600A Frame], Trip 600A., PXR20 LSI, None Terminals, Mechanical, (2) #2-500 kcmil Neutral Terminal, (2) #4-500 kcmil	
	7	Feeder Breaker - Chassis Mtd-600A, 3P PDG33G Breaker [600A Frame], Trip 600A., PXR20 LSI, None Terminals, Mechanical, (2) #2-500 kcmil Neutral Terminal, (2) #4-500 kcmil	

The information on this document is created by Eaton Corporation. It is disclosed in confidence and it is only to be used for the purpose in which it is supplied.

PREPARED BY JOHN H JANSEN	DATE 1/15/2023	Eaton	SumterSC
APPROVED BY	DATE	JOB NAME P2S Engineering-- Compton Student Housing Electrical Equ	DESIGNATION Bldg B Main Dist. Board
VERSION 9.0.31.1	TYPE Switchboards	DRAWING TYPE CustAppr	
NEG-ALT Number LAED0116X3K1-0000	REVISION 0	DWG SIZE DwgA	G.O. ITEM SHEET 3 of 3

FLOOR PLAN DISTRIBUTION CHASSIS



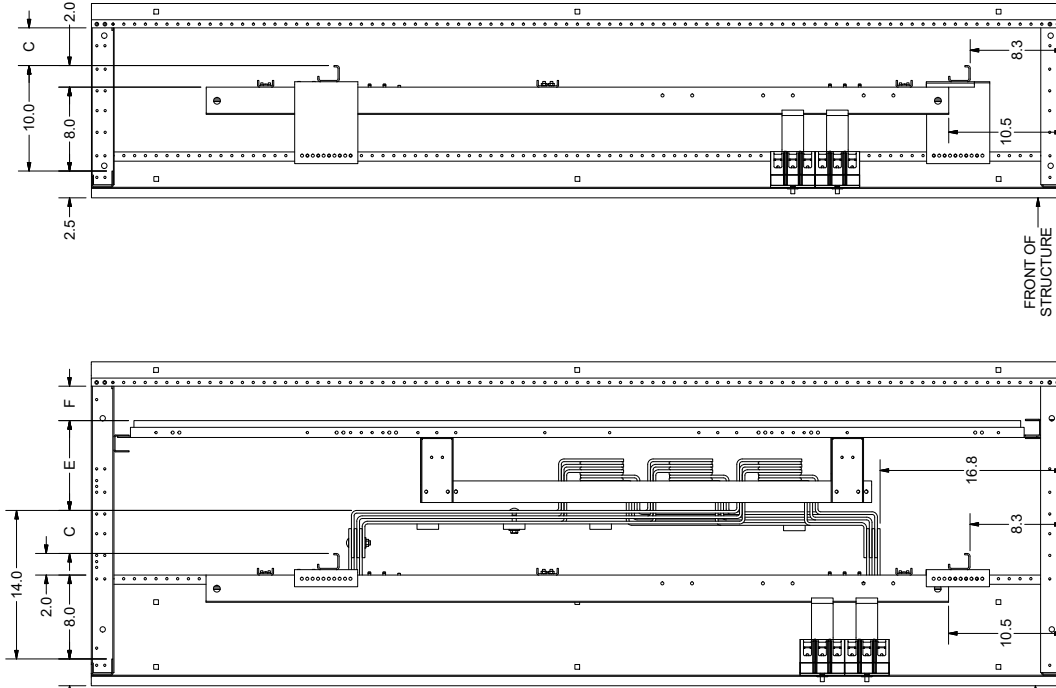
AVAILABLE CONDUIT AREA [1]
(16.8 INCHES VERTICAL CLEARANCE)
SIDE OR REAR ACCESS REQUIRED.

AVAILABLE CONDUIT AREA [1]
(8.3 INCHES VERTICAL CLEARANCE)

AVAILABLE CONDUIT AREA [1]
(10.5 INCHES VERTICAL CLEARANCE)

A STRUCTURE WIDTH

STRUCTURE DIMENSIONS	A (INCHES)	B (INCHES)	C (INCHES)	D (INCHES)	E (INCHES)	F (INCHES)	G (INCHES)	H (INCHES)
36W X 18D	36.0	30.0	2.0	23.8	N/A	N/A	3.0	5.0
45W X 18D	45.0	39.0	2.0	32.8	N/A	N/A	5.0	12.0
51W X 18D	51.0	45.0	2.0	38.8	N/A	N/A	11.5	11.5
36W X 24D	36.0	30.0	4.0	23.8	4.0	N/A	3.0	5.0
45W X 24D	45.0	39.0	4.0	32.8	4.0	N/A	5.0	12.0
51W X 24D	51.0	45.0	4.0	38.8	4.0	N/A	11.5	11.5
36W X 30D	36.0	30.0	4.0	23.8	8.5	1.5	3.0	5.0
45W X 30D	45.0	39.0	4.0	32.8	8.5	1.5	5.0	12.0
51W X 30D	51.0	45.0	4.0	38.8	8.5	1.5	11.5	11.5
36W X 36D	36.0	30.0	4.0	23.8	8.5	7.5	3.0	5.0
45W X 36D	45.0	39.0	4.0	32.8	8.5	7.5	5.0	12.0
51W X 36D	51.0	45.0	4.0	38.8	8.5	7.5	11.5	11.5
36W X 48D	36.0	30.0	4.0	23.8	8.5	19.5	3.0	5.0
45W X 48D	45.0	39.0	4.0	32.8	8.5	19.5	5.0	12.0
51W X 48D	51.0	45.0	4.0	38.8	8.5	19.5	11.5	11.5
36W X 54D	36.0	30.0	4.0	23.8	8.5	25.5	3.0	5.0
45W X 54D	45.0	39.0	4.0	32.8	8.5	25.5	5.0	12.0
51W X 54D	51.0	45.0	4.0	38.8	8.5	25.5	11.5	11.5
36W X 66D	36.0	30.0	4.0	23.8	8.5	37.5	3.0	5.0
45W X 66D	45.0	39.0	4.0	32.8	8.5	37.5	5.0	12.0
51W X 66D	51.0	45.0	4.0	38.8	8.5	37.5	11.5	11.5



SIDE VIEW
> 24" DEEP

SIDE VIEW
18" DEEP

- NOTES:
- FOR FUSIBLE SWITCHES, ALL CABLE ENTRY AREA BEHIND DISTRIBUTION CHASSIS AND CROSS BUS, REQUIRES SIDE OR REAR ACCESS.
 - CONDUIT AREA AVAILABLE WITH SIDE OR REAR ACCESS 90.00 INCHES VERTICAL CLEARANCE.
 - OPEN WIREWAY 90.00 INCHES VERTICAL CLEARANCE.

REVISION	2	RR#5493	1
REVISION	3	EGR-0023779	3
ADDED NOTIFICATION block to revision section.			
GL 11/15/11			
HSB 11/15/11			
TRR 8/3/2020			
UPDATED			
COMBINED 1A32041			
1A32044.			
CR-0024710	4		
TRR 4/16/2021			
ADDED 'C' DIM TO STRUCTURE			
FLOOR PLAN VIEWS REVISED			
CR-0027710	5		
TRR 7/11/22			
ADDED 'G' & 'H' TO DRAWINGS, OPEN WIREWAY.			
CR-00027232	6		
TRR 8/19/2022			
REVISED 'G' AND 'H' DIMS ADDED BOX AT 'G X C & H			
NTS	3341	SCALE	
1A32043G01 I AM	6	MODEL REV	4
STANDARD		TYPE	
UNLESS SPECIFIED OTHERWISE		PARTS LIST	
1A32044		DWG NO.	
FLOOR PLAN - DISTRIBUTION CHASSIS		TITLE	
POW-LINE XPERT / C		DATE	10/7/2011
SUMTER, SC		DESIGNER	DSF
		DATE	10/7/2011
		REVISION	RBH

GO/NEG-Alt-Date: LAED0116X3K1-0000-1/15/2023	Job Name: P2S Engineering-- Compton Student Housing Electrical Equipment
Item Number:	Designation: Bldg B Main Dist. Board
Catalog Number:	

Switchboard General Information

Pow-R-Line Xpert - Specifications

Quantity: 1

Alignment: Front Access/ Front and Rear Align

Service: 208Y/120V 3-Phase 4-Wire

Minimum Interrupt Rating: 65 kA

Bus Specifications

Bus Amps: 600

Bus Bracing Rating: 65kA

Neutral Amps: 600

Bus Material: Tin Plated Copper

Heat Test

Ground Bus Material: Tin Plated Copper Ground Bus Bolted To Frame, (1) #6-350 kcmil Ground Lug

Incoming Information

Incoming Entry: Bottom

Incoming Location: Left

Incoming Qty & Size: Terminals, Mechanical, (2) #2-500 kcmil, Bottom

Structure Specifications

Non Service Entrance

Enclosure Type: Type 1

Seismic Label (IBC/CBC Seismic Qualified) - Freestanding

Refer to seismic installation data sheet TD01508002E and drawing 1A32496 for details.

Special Notes

Qty Description

Catalog Number

1 8X space for EMON DMON metering (note this is an CN415350 approximation --This to be done by contractor

Enclosure properties

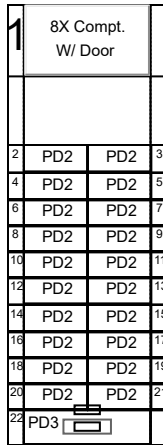
Struct #

Description/Modifications

1 Bottom incoming chassis mounted main device (Incoming Main Device/MLO Section)

The information on this document is created by Eaton Corporation. It is disclosed in confidence and it is only to be used for the purpose in which it is supplied.

PREPARED BY	DATE	Eaton	SumterSC
JOHN H JANSEN	1/15/2023	JOB NAME	P2S Engineering-- Compton Student Housing Electrical Equ
APPROVED BY	DATE	DESIGNATION	Dist. Bd B1
VERSION	TYPE	DRAWING TYPE	
9.0.31.1	Switchboards	CustAppr	
NEG-ALT Number	REVISION	DWG SIZE	G.O.
LAED0116X3K1-0000	0	DwgA	ITEM
			SHEET
			1 of 4



Front View

Struct 1 *

Depth 18

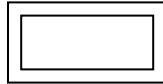
Width 36

Power Flow



See 1A32044 For Bottom Conduit Detail

Rear Floor Plan



Total of 1 Structures, Total Weight of 742 Weight-Lbs.
Total of 1 Structures, Total Width of 36 inches

Structure					
Ship-Inches	36.00				
Ship-MM	914				
Width-Inches	36.00				
Width-MM	914				
Depth(Inner)-In.	18.00				
Depth(Inner)-MM	457				
Depth(Outer)-In.	18.00				
Depth(Outer)-MM	457				
Height-Inches	90.00				
Height-MM	2286				
Weight-Lbs.(Est.)	742				
Weight-Kg.(Est.)	336				

<p>The information on this document is created by Eaton Corporation. It is disclosed in confidence and it is only to be used for the purpose in which it is supplied.</p>	PREPARED BY JOHN H JANSEN	DATE 1/15/2023	Eaton SumterSC		
	APPROVED BY	DATE	JOB NAME P2S Engineering-- Compton Student Housing Electrical Equ	Dist. Bd B1	
	VERSION 9.0.31.1	TYPE Switchboards	DRAWING TYPE CustAppr		
NEG-ALT Number LAED0116X3K1-0000	REVISION 0	DWG SIZE DwgA	G.O.	ITEM	SHEET 2 of 4

Switchboard Units Information

Str#	Unit	Description/Modifications	Nameplate
1	1	8X Compartment W/ Door	
	2	Feeder Breaker - Chassis Mtd-200A, 3P PDG23G Breaker [225A Frame], Trip 200A., Thermal Mag Terminals, Mechanical, (1) #4-4/0 Neutral Terminal, (1) #6-350 kcmil	
	3	Feeder Breaker - Chassis Mtd-200A, 3P PDG23G Breaker [225A Frame], Trip 200A., Thermal Mag Terminals, Mechanical, (1) #4-4/0 Neutral Terminal, (1) #6-350 kcmil	
	4	Feeder Breaker - Chassis Mtd-200A, 3P PDG23G Breaker [225A Frame], Trip 200A., Thermal Mag Terminals, Mechanical, (1) #4-4/0 Neutral Terminal, (1) #6-350 kcmil	
	5	Feeder Breaker - Chassis Mtd-200A, 3P PDG23G Breaker [225A Frame], Trip 200A., Thermal Mag Terminals, Mechanical, (1) #4-4/0 Neutral Terminal, (1) #6-350 kcmil	
	6	Feeder Breaker - Chassis Mtd-100A, 3P PDG23G Breaker [100A Frame], Trip 100A., Thermal Mag Terminals, Mechanical, (1) #14-1/0 Neutral Terminal, (1) #14-1/0	
	7	Feeder Breaker - Chassis Mtd-100A, 3P PDG23G Breaker [100A Frame], Trip 100A., Thermal Mag Terminals, Mechanical, (1) #14-1/0 Neutral Terminal, (1) #14-1/0	
	8	Feeder Breaker - Chassis Mtd-100A, 3P PDG23G Breaker [100A Frame], Trip 100A., Thermal Mag Terminals, Mechanical, (1) #14-1/0 Neutral Terminal, (1) #14-1/0	
	9	Feeder Breaker - Chassis Mtd-100A, 3P PDG23G Breaker [100A Frame], Trip 100A., Thermal Mag Terminals, Mechanical, (1) #14-1/0 Neutral Terminal, (1) #14-1/0	
	10	Feeder Breaker - Chassis Mtd-100A, 3P PDG23G Breaker [100A Frame], Trip 100A., Thermal Mag Terminals, Mechanical, (1) #14-1/0 Neutral Terminal, (1) #14-1/0	
	11	Feeder Breaker - Chassis Mtd-100A, 3P PDG23G Breaker [100A Frame], Trip 100A., Thermal Mag Terminals, Mechanical, (1) #14-1/0 Neutral Terminal, (1) #14-1/0	
	12	Feeder Breaker - Chassis Mtd-100A, 3P PDG23G Breaker [100A Frame], Trip 100A., Thermal	

The information on this document is created by Eaton Corporation. It is disclosed in confidence and it is only to be used for the purpose in which it is supplied.	PREPARED BY	DATE			
	JOHN H JANSEN	1/15/2023	Eaton	SumterSC	
	APPROVED BY	DATE	JOB NAME	P2S Engineering-- Compton Student Housing Electrical Equ	
			DESIGNATION	Dist. Bd B1	
	VERSION	TYPE	DRAWING TYPE		
	9.0.31.1	Switchboards	CustAppr		
NEG-ALT Number	REVISION	DWG SIZE	G.O.	ITEM	SHEET
LAED0116X3K1-0000	0	DwgA			3 of 4

Mag
 Terminals, Mechanical, (1) #14-1/0
 Neutral Terminal, (1) #14-1/0

13 Feeder Breaker - Chassis Mtd-100A, 3P PDG23G Breaker [100A Frame], Trip 100A., Thermal
 Mag
 Terminals, Mechanical, (1) #14-1/0
 Neutral Terminal, (1) #14-1/0

14 Feeder Breaker - Chassis Mtd-100A, 3P PDG23G Breaker [100A Frame], Trip 100A., Thermal
 Mag
 Terminals, Mechanical, (1) #14-1/0
 Neutral Terminal, (1) #14-1/0

15 Feeder Breaker - Chassis Mtd-100A, 3P PDG23G Breaker [100A Frame], Trip 100A., Thermal
 Mag
 Terminals, Mechanical, (1) #14-1/0
 Neutral Terminal, (1) #14-1/0

16 Feeder Breaker - Chassis Mtd-100A, 3P PDG23G Breaker [100A Frame], Trip 100A., Thermal
 Mag
 Terminals, Mechanical, (1) #14-1/0
 Neutral Terminal, (1) #14-1/0

17 Feeder Breaker - Chassis Mtd-100A, 3P PDG23G Breaker [100A Frame], Trip 100A., Thermal
 Mag
 Terminals, Mechanical, (1) #14-1/0
 Neutral Terminal, (1) #14-1/0

18 Feeder Breaker - Chassis Mtd-100A, 3P PDG23G Breaker [100A Frame], Trip 100A., Thermal
 Mag
 Terminals, Mechanical, (1) #14-1/0
 Neutral Terminal, (1) #14-1/0

19 Feeder Breaker - Chassis Mtd-100A, 3P PDG23G Breaker [100A Frame], Trip 100A., Thermal
 Mag
 Terminals, Mechanical, (1) #14-1/0
 Neutral Terminal, (1) #14-1/0

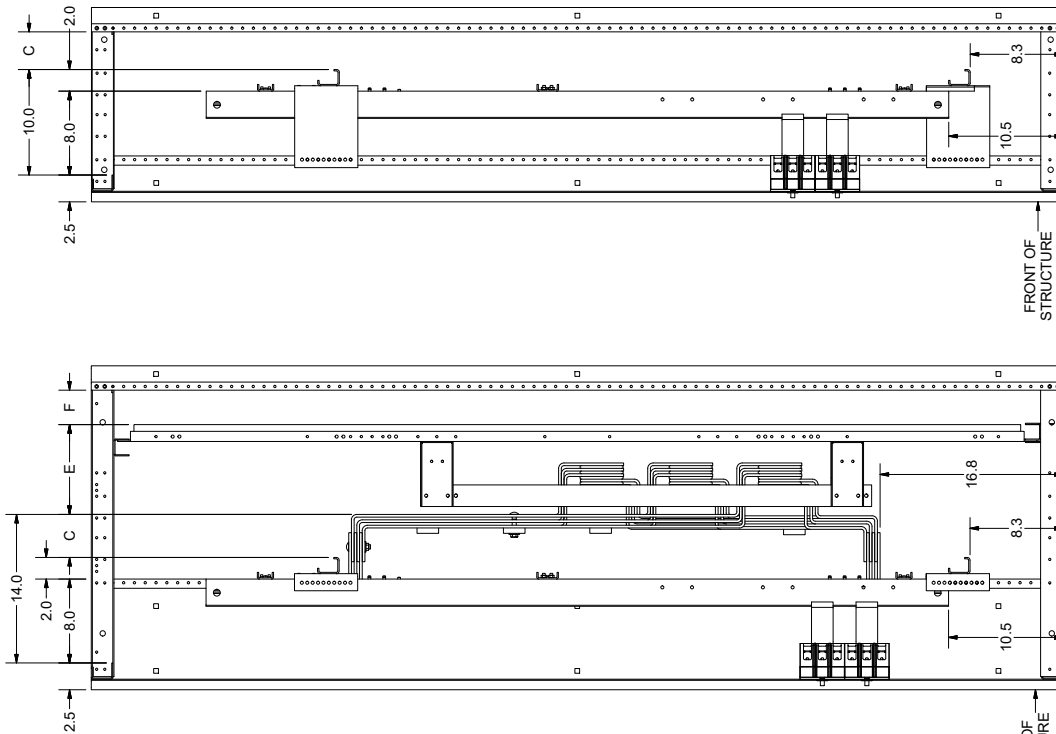
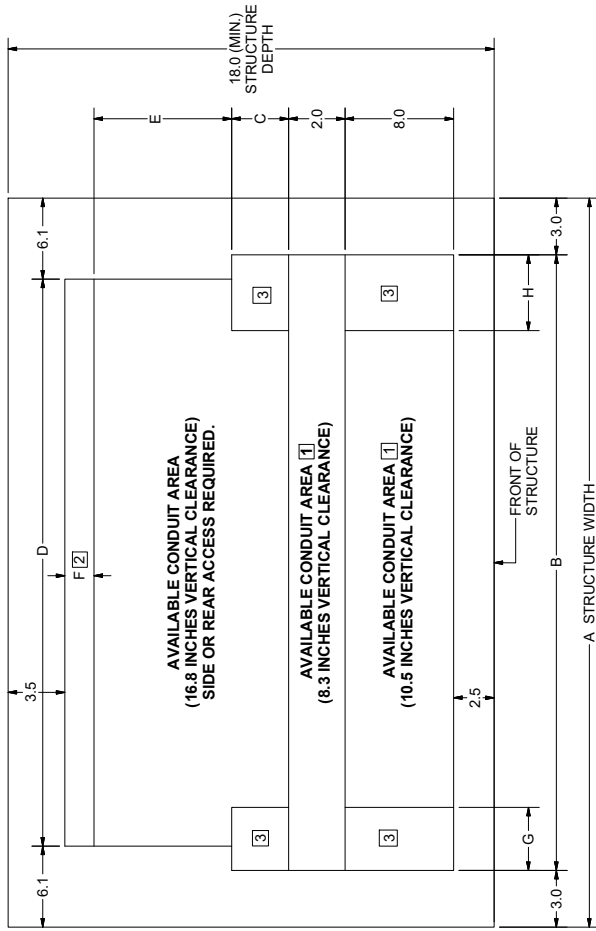
20 Feeder Breaker - Chassis Mtd-100A, 3P PDG23G Breaker [100A Frame], Trip 100A., Thermal
 Mag
 Terminals, Mechanical, (1) #14-1/0
 Neutral Terminal, (1) #14-1/0

21 Feeder Breaker - Chassis Mtd-100A, 3P PDG23G Breaker [100A Frame], Trip 100A., Thermal
 Mag
 Terminals, Mechanical, (1) #14-1/0
 Neutral Terminal, (1) #14-1/0

22 Main Breaker - Chassis Mtd-600A, 3P PDG33G Breaker [600A Frame], Trip 600A., PXR20 LSI,
 None
 Terminals, Mechanical, (2) #2-500 kcmil, Bottom
 Neutral Terminal, (2) #4-500 kcmil

The information on this document is created by Eaton Corporation. It is disclosed in confidence and it is only to be used for the purpose in which it is supplied.	PREPARED BY JOHN H JANSEN	DATE 1/15/2023	Eaton			SumterSC		
	APPROVED BY	DATE	JOB NAME P2S Engineering-- Compton Student Housing Electrical Equ	DESIGNATION Dist. Bd B1				
	VERSION 9.0.31.1	TYPE Switchboards	DRAWING TYPE CustAppr					
NEG-ALT Number LAED0116X3K1-0000	REVISION 0	DWG SIZE DwgA	G.O.	ITEM	SHEET 4 of 4			

FLOOR PLAN DISTRIBUTION CHASSIS



STRUCTURE DIMENSIONS	A (INCHES)	B (INCHES)	C (INCHES)	D (INCHES)	E (INCHES)	F (INCHES)	G (INCHES)	H (INCHES)
36W X 18D	36.0	30.0	2.0	23.8	N/A	N/A	3.0	5.0
45W X 18D	45.0	39.0	2.0	32.8	N/A	N/A	5.0	12.0
51W X 18D	51.0	45.0	2.0	38.8	N/A	N/A	11.5	11.5
36W X 24D	36.0	30.0	4.0	23.8	4.0	N/A	3.0	5.0
45W X 24D	45.0	39.0	4.0	32.8	4.0	N/A	5.0	12.0
51W X 24D	51.0	45.0	4.0	38.8	4.0	N/A	11.5	11.5
36W X 30D	36.0	30.0	4.0	23.8	8.5	1.5	3.0	5.0
45W X 30D	45.0	39.0	4.0	32.8	8.5	1.5	5.0	12.0
51W X 30D	51.0	45.0	4.0	38.8	8.5	1.5	11.5	11.5
36W X 36D	36.0	30.0	4.0	23.8	8.5	7.5	3.0	5.0
45W X 36D	45.0	39.0	4.0	32.8	8.5	7.5	5.0	12.0
51W X 36D	51.0	45.0	4.0	38.8	8.5	7.5	11.5	11.5
36W X 48D	36.0	30.0	4.0	23.8	8.5	19.5	3.0	5.0
45W X 48D	45.0	39.0	4.0	32.8	8.5	19.5	5.0	12.0
51W X 48D	51.0	45.0	4.0	38.8	8.5	19.5	11.5	11.5
36W X 54D	36.0	30.0	4.0	23.8	8.5	25.5	3.0	5.0
45W X 54D	45.0	39.0	4.0	32.8	8.5	25.5	5.0	12.0
51W X 54D	51.0	45.0	4.0	38.8	8.5	25.5	11.5	11.5
36W X 66D	36.0	30.0	4.0	23.8	8.5	37.5	3.0	5.0
45W X 66D	45.0	39.0	4.0	32.8	8.5	37.5	5.0	12.0
51W X 66D	51.0	45.0	4.0	38.8	8.5	37.5	11.5	11.5

- NOTES:
- FOR FUSIBLE SWITCHES, ALL CABLE ENTRY AREA BEHIND DISTRIBUTION CHASSIS AND CROSS BUS, REQUIRES SIDE OR REAR ACCESS.
 - CONDUIT AREA AVAILABLE WITH SIDE OR REAR ACCESS 90.00 INCHES VERTICAL CLEARANCE.
 - OPEN WIREWAY 90.00 INCHES VERTICAL CLEARANCE.

1	REVISION	RR#5493	2	3	4	5	6	7	8	9	10	11	12	13	14	15	16	17	18	19	20	21	22	23	24	25	26	27	28	29	30	31	32	33	34	35	36	37	38	39	40	41	42	43	44	45	46	47	48	49	50	51	52	53	54	55	56	57	58	59	60	61	62	63	64	65	66	67	68	69	70	71	72	73	74	75	76	77	78	79	80	81	82	83	84	85	86	87	88	89	90	91	92	93	94	95	96	97	98	99	100																																																																																																					
1	ADDED NOTIFICATION	GL 11/15/11	2	ADDED NOTIFICATION	block to revision	3	UPDATED	RR# 8/3/2020	4	COMBINED 1A32041	5	CR-00227110	6	CR-00027232	7	CR-00027110	8	CR-0024710	9	CR-0024710	10	CR-0024710	11	CR-0024710	12	CR-0024710	13	CR-0024710	14	CR-0024710	15	CR-0024710	16	CR-0024710	17	CR-0024710	18	CR-0024710	19	CR-0024710	20	CR-0024710	21	CR-0024710	22	CR-0024710	23	CR-0024710	24	CR-0024710	25	CR-0024710	26	CR-0024710	27	CR-0024710	28	CR-0024710	29	CR-0024710	30	CR-0024710	31	CR-0024710	32	CR-0024710	33	CR-0024710	34	CR-0024710	35	CR-0024710	36	CR-0024710	37	CR-0024710	38	CR-0024710	39	CR-0024710	40	CR-0024710	41	CR-0024710	42	CR-0024710	43	CR-0024710	44	CR-0024710	45	CR-0024710	46	CR-0024710	47	CR-0024710	48	CR-0024710	49	CR-0024710	50	CR-0024710	51	CR-0024710	52	CR-0024710	53	CR-0024710	54	CR-0024710	55	CR-0024710	56	CR-0024710	57	CR-0024710	58	CR-0024710	59	CR-0024710	60	CR-0024710	61	CR-0024710	62	CR-0024710	63	CR-0024710	64	CR-0024710	65	CR-0024710	66	CR-0024710	67	CR-0024710	68	CR-0024710	69	CR-0024710	70	CR-0024710	71	CR-0024710	72	CR-0024710	73	CR-0024710	74	CR-0024710	75	CR-0024710	76	CR-0024710	77	CR-0024710	78	CR-0024710	79	CR-0024710	80	CR-0024710	81	CR-0024710	82	CR-0024710	83	CR-0024710	84	CR-0024710	85	CR-0024710	86	CR-0024710	87	CR-0024710	88	CR-0024710	89	CR-0024710	90	CR-0024710	91	CR-0024710	92	CR-0024710	93	CR-0024710	94	CR-0024710	95	CR-0024710	96	CR-0024710	97	CR-0024710	98	CR-0024710	99	CR-0024710	100	CR-0024710

GO/NEG-Alt-Date:
LAED0116X3K1-0000-1/15/2023

Job Name:
P2S Engineering-- Compton Student Housing Electrical Equipment

Item Number: Catalog Number:

Designation:
Dist. Bd B1

THE INFORMATION ON THIS DRAWING IS THE PROPERTY OF FALCON CORPORATION AND IS ONLY TO BE USED FOR THE PURPOSE IN WHICH IT IS SUPPLIED.	DATE	10/7/2011	DATE	10/7/2011	
DESIGNER	DSF	DATE	10/7/2011	DATE	10/7/2011
REVISION	RBH	REVISION	6	REVISION	4
SCALE	NTS	SCALE	1:32043	SCALE	STANDARD
PROJECT	3341	PROJECT	1A32043G01IAM	PROJECT	1A32043G01IAM
TITLE	POW-LINE XPRT / C	TITLE	FLOOR PLAN - DISTRIBUTION CHASSIS	TITLE	SUMTER, SC
DWG NO.	1A32044	DWG NO.	1A32044	DWG NO.	1A32044
TYPE	STANDARD	TYPE	STANDARD	TYPE	STANDARD
SHEET	1 OF 1	SHEET	1 OF 1	SHEET	1 OF 1

Switchboard General Information

Pow-R-Line Xpert - Specifications

Quantity: 1

Alignment: Front Access/ Front and Rear Align

Service: 208Y/120V 3-Phase 4-Wire

Minimum Interrupt Rating: 65 kA

Bus Specifications

Bus Amps: 600

Bus Bracing Rating: 65kA

Neutral Amps: 600

Bus Material: Tin Plated Copper

Heat Test

Ground Bus Material: Tin Plated Copper Ground Bus Bolted To Frame, (1) #6-350 kcmil Ground Lug

Incoming Information

Incoming Entry: Bottom

Incoming Location: Left

Incoming Qty & Size: Terminals, Mechanical, (2) #2-500 kcmil, Bottom

Structure Specifications

Non Service Entrance

Enclosure Type: Type 1

Seismic Label (IBC/CBC Seismic Qualified) - Freestanding

Refer to seismic installation data sheet TD01508002E and drawing 1A32496 for details.

Special Notes

Qty Description

Catalog Number

1 8X space for EMON DMON metering (note this is an CN415350 approximation --This to be done by contractor

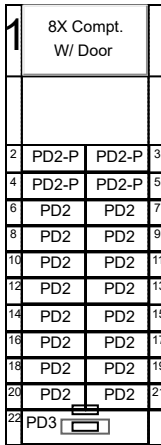
Enclosure properties

Struct #

Description/Modifications

1 Bottom incoming chassis mounted main device (Incoming Main Device/MLO Section)

<p>The information on this document is created by Eaton Corporation. It is disclosed in confidence and it is only to be used for the purpose in which it is supplied.</p>	PREPARED BY	DATE	Eaton SumterSC		
	JOHN H JANSEN	1/15/2023	JOB NAME	P2S Engineering-- Compton Student Housing Electrical Equ	
	APPROVED BY	DATE	DESIGNATION	Dist. Bd B2	
	VERSION	TYPE	DRAWING TYPE		
	9.0.31.1	Switchboards	CustAppr		
NEG-ALT Number	REVISION	DWG SIZE	G.O.	ITEM	SHEET
LAED0116X3K1-0000	0	DwgA			1 of 4



Front View

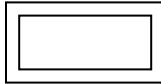
Struct	1	*
Depth	18	
Width	36	

Power Flow



See 1A32044 For Bottom Conduit Detail

Floor Plan



Total of 1 Structures, Total Weight of 742 Weight-Lbs.
Total of 1 Structures, Total Width of 36 Inches

Structure					
Ship-Inches	36.00				
Ship-MM	914				
Width-Inches	36.00				
Width-MM	914				
Depth(Inner)-In.	18.00				
Depth(Inner)-MM	457				
Depth(Outer)-In.	18.00				
Depth(Outer)-MM	457				
Height-Inches	90.00				
Height-MM	2286				
Weight-Lbs.(Est.)	742				
Weight-Kg.(Est.)	336				

<p>The information on this document is created by Eaton Corporation. It is disclosed in confidence and it is only to be used for the purpose in which it is supplied.</p>	PREPARED BY JOHN H JANSEN	DATE 1/15/2023	Eaton SumterSC		
	APPROVED BY	DATE	JOB NAME P2S Engineering-- Compton Student Housing Electrical Equ	Dist. Bd B2	
	VERSION 9.0.31.1	TYPE Switchboards	DRAWING TYPE CustAppr		
NEG-ALT Number LAED0116X3K1-0000	REVISION 0	DWG SIZE DwgA	G.O.	ITEM	SHEET 2 of 4

Switchboard Units Information

Str#	Unit	Description/Modifications	Nameplate
1	1	8X Compartment W/ Door	
	2	Feeder Breaker - Chassis Mtd-3P PD2 Provision, PROVISIONS FOR BREAKER ONLY Neutral Terminal, (1) #14-1/0	
	3	Feeder Breaker - Chassis Mtd-3P PD2 Provision, PROVISIONS FOR BREAKER ONLY Neutral Terminal, (1) #14-1/0	
	4	Feeder Breaker - Chassis Mtd-3P PD2 Provision, PROVISIONS FOR BREAKER ONLY Neutral Terminal, (1) #14-1/0	
	5	Feeder Breaker - Chassis Mtd-3P PD2 Provision, PROVISIONS FOR BREAKER ONLY Neutral Terminal, (1) #14-1/0	
	6	Feeder Breaker - Chassis Mtd-100A, 3P PDG23G Breaker [100A Frame], Trip 100A., Thermal Mag Terminals, Mechanical, (1) #14-1/0 Neutral Terminal, (1) #14-1/0	
	7	Feeder Breaker - Chassis Mtd-100A, 3P PDG23G Breaker [100A Frame], Trip 100A., Thermal Mag Terminals, Mechanical, (1) #14-1/0 Neutral Terminal, (1) #14-1/0	
	8	Feeder Breaker - Chassis Mtd-100A, 3P PDG23G Breaker [100A Frame], Trip 100A., Thermal Mag Terminals, Mechanical, (1) #14-1/0 Neutral Terminal, (1) #14-1/0	
	9	Feeder Breaker - Chassis Mtd-100A, 3P PDG23G Breaker [100A Frame], Trip 100A., Thermal Mag Terminals, Mechanical, (1) #14-1/0 Neutral Terminal, (1) #14-1/0	
	10	Feeder Breaker - Chassis Mtd-100A, 3P PDG23G Breaker [100A Frame], Trip 100A., Thermal Mag Terminals, Mechanical, (1) #14-1/0 Neutral Terminal, (1) #14-1/0	
	11	Feeder Breaker - Chassis Mtd-100A, 3P PDG23G Breaker [100A Frame], Trip 100A., Thermal Mag Terminals, Mechanical, (1) #14-1/0 Neutral Terminal, (1) #14-1/0	
	12	Feeder Breaker - Chassis Mtd-100A, 3P PDG23G Breaker [100A Frame], Trip 100A., Thermal Mag Terminals, Mechanical, (1) #14-1/0 Neutral Terminal, (1) #14-1/0	
	13	Feeder Breaker - Chassis Mtd-100A, 3P PDG23G Breaker [100A Frame], Trip 100A., Thermal Mag Terminals, Mechanical, (1) #14-1/0 Neutral Terminal, (1) #14-1/0	

<p>The information on this document is created by Eaton Corporation. It is disclosed in confidence and it is only to be used for the purpose in which it is supplied.</p>	PREPARED BY	DATE	Eaton		
	JOHN H JANSEN	1/15/2023	SumterSC		
	APPROVED BY	DATE	JOB NAME	P2S Engineering-- Compton Student Housing Electrical Equ	
			DESIGNATION	Dist. Bd B2	
	VERSION	TYPE	DRAWING TYPE		
	9.0.31.1	Switchboards	CustAppr		
NEG-ALT Number	REVISION	DWG SIZE	G.O.	ITEM	SHEET
LAED0116X3K1-0000	0	DwgA			3 of 4

- 14 Feeder Breaker - Chassis Mtd-100A, 3P PDG23G Breaker [100A Frame], Trip 100A., Thermal Mag
Terminals, Mechanical, (1) #14-1/0
Neutral Terminal, (1) #14-1/0
- 15 Feeder Breaker - Chassis Mtd-100A, 3P PDG23G Breaker [100A Frame], Trip 100A., Thermal Mag
Terminals, Mechanical, (1) #14-1/0
Neutral Terminal, (1) #14-1/0
- 16 Feeder Breaker - Chassis Mtd-100A, 3P PDG23G Breaker [100A Frame], Trip 100A., Thermal Mag
Terminals, Mechanical, (1) #14-1/0
Neutral Terminal, (1) #14-1/0
- 17 Feeder Breaker - Chassis Mtd-100A, 3P PDG23G Breaker [100A Frame], Trip 100A., Thermal Mag
Terminals, Mechanical, (1) #14-1/0
Neutral Terminal, (1) #14-1/0
- 18 Feeder Breaker - Chassis Mtd-100A, 3P PDG23G Breaker [100A Frame], Trip 100A., Thermal Mag
Terminals, Mechanical, (1) #14-1/0
Neutral Terminal, (1) #14-1/0
- 19 Feeder Breaker - Chassis Mtd-100A, 3P PDG23G Breaker [100A Frame], Trip 100A., Thermal Mag
Terminals, Mechanical, (1) #14-1/0
Neutral Terminal, (1) #14-1/0
- 20 Feeder Breaker - Chassis Mtd-100A, 3P PDG23G Breaker [100A Frame], Trip 100A., Thermal Mag
Terminals, Mechanical, (1) #14-1/0
Neutral Terminal, (1) #14-1/0
- 21 Feeder Breaker - Chassis Mtd-100A, 3P PDG23G Breaker [100A Frame], Trip 100A., Thermal Mag
Terminals, Mechanical, (1) #14-1/0
Neutral Terminal, (1) #14-1/0
- 22 Main Breaker - Chassis Mtd-600A, 3P PDG33G Breaker [600A Frame], Trip 600A., PXR20 LSI,
None
Terminals, Mechanical, (2) #2-500 kcmil, Bottom
Neutral Terminal, (2) #4-500 kcmil

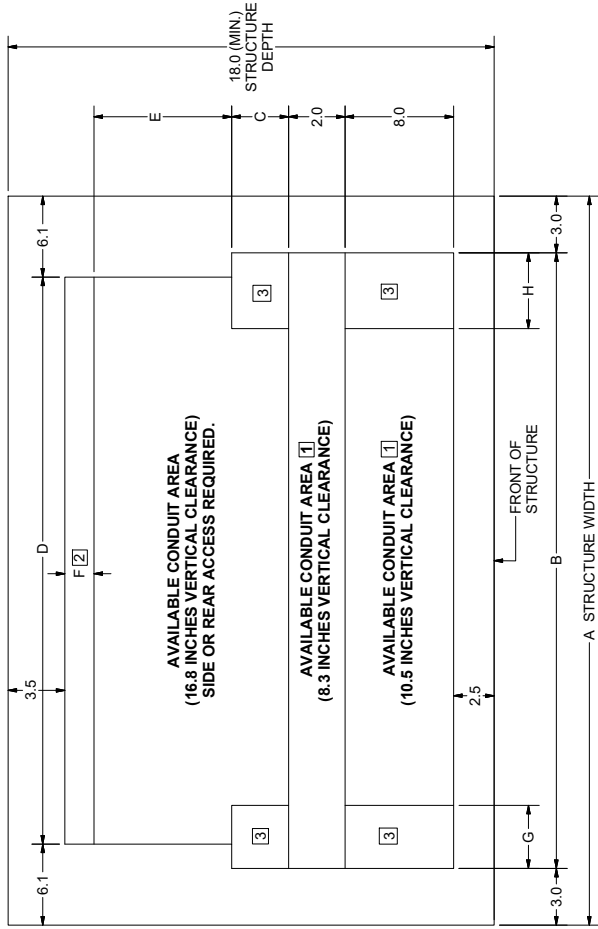
The information on this document is created by Eaton Corporation. It is disclosed in confidence and it is only to be used for the purpose in which it is supplied.	PREPARED BY	DATE	Eaton SumterSC		
	JOHN H JANSEN	1/15/2023			
	APPROVED BY	DATE	JOB NAME	P2S Engineering-- Compton Student Housing Electrical Equ Dist. Bd B2	
		DESIGNATION			
	VERSION	TYPE	DRAWING TYPE CustAppr		
	9.0.31.1	Switchboards			
NEG-ALT Number	REVISION	DWG SIZE	G.O.	ITEM	SHEET
LAED0116X3K1-0000	0	DwgA			4 of 4

GO/NEG-Alt-Date:
LAED0116X3K1-0000-1/15/2023

Job Name:
P2S Engineering-- Compton Student Housing Electrical Equipment
Designation:
Dist. Bd B2

Item Number: Catalog Number:

**FLOOR PLAN
DISTRIBUTION CHASSIS**



STRUCTURE DIMENSIONS	A (INCHES)	B (INCHES)	C (INCHES)	D (INCHES)	E (INCHES)	F (INCHES)	G (INCHES)	H (INCHES)
36W X 18D	36.0	30.0	2.0	23.8	N/A	N/A	3.0	5.0
45W X 18D	45.0	39.0	2.0	32.8	N/A	N/A	5.0	12.0
51W X 18D	51.0	45.0	2.0	38.8	N/A	N/A	11.5	11.5
36W X 24D	36.0	30.0	4.0	23.8	4.0	N/A	3.0	5.0
45W X 24D	45.0	39.0	4.0	32.8	4.0	N/A	5.0	12.0
51W X 24D	51.0	45.0	4.0	38.8	4.0	N/A	11.5	11.5
36W X 30D	36.0	30.0	4.0	23.8	8.5	1.5	3.0	5.0
45W X 30D	45.0	39.0	4.0	32.8	8.5	1.5	5.0	12.0
51W X 30D	51.0	45.0	4.0	38.8	8.5	1.5	11.5	11.5
36W X 36D	36.0	30.0	4.0	23.8	8.5	7.5	3.0	5.0
45W X 36D	45.0	39.0	4.0	32.8	8.5	7.5	5.0	12.0
51W X 36D	51.0	45.0	4.0	38.8	8.5	7.5	11.5	11.5
36W X 48D	36.0	30.0	4.0	23.8	8.5	19.5	3.0	5.0
45W X 48D	45.0	39.0	4.0	32.8	8.5	19.5	5.0	12.0
51W X 48D	51.0	45.0	4.0	38.8	8.5	19.5	11.5	11.5
36W X 54D	36.0	30.0	4.0	23.8	8.5	25.5	3.0	5.0
45W X 54D	45.0	39.0	4.0	32.8	8.5	25.5	5.0	12.0
51W X 54D	51.0	45.0	4.0	38.8	8.5	25.5	11.5	11.5
36W X 66D	36.0	30.0	4.0	23.8	8.5	37.5	3.0	5.0
45W X 66D	45.0	39.0	4.0	32.8	8.5	37.5	5.0	12.0
51W X 66D	51.0	45.0	4.0	38.8	8.5	37.5	11.5	11.5

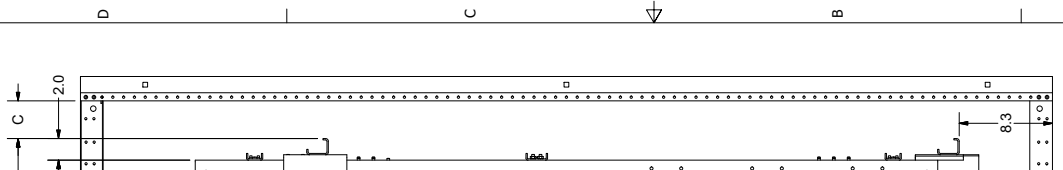
REVISION	2	RR#5493	3	EGR-0023779	JTR 8/3/2020	UPDATED	DRAWING AND	COMBINED 1A32041	CR-0024710	4	JTR 4/16/2021	ADDED 'C' DIM TO	STRUCTURE	FLOOR PLAN	CR-00027110	5	JTR 7/11/22	ADDED 'G' & 'H'	TO	WIREWAY	CR-00027232	6	JTR 8/19/2022	REVISED 'G' AND	'H' DIMS ADDED	BOX AT 'G' X 'C' & 'H'	3	THE INFORMATION ON THIS DRAWING IS THE PROPERTY OF P2S ENGINEERING. IT IS TO BE USED ONLY FOR THE PURPOSES FOR WHICH IT IS SUPPLIED.
STANDARD	4	1A32043G01 IAM	SCALE	NTS	3341	PRODUCT LIST	3341	3341	3341	3341	3341	3341	3341	3341	3341	3341	3341	3341	3341	3341	3341	3341	3341	3341	3341	3341	3341	3341

**SIDE VIEW
> 24" DEEP**

**SIDE VIEW
18" DEEP**

NOTES:
 1) FOR FUSIBLE SWITCHES, ALL CABLE ENTRY AREA BEHIND DISTRIBUTION CHASSIS AND CROSS BUS, REQUIRES SIDE OR REAR ACCESS.
 2) CONDUIT AREA AVAILABLE WITH SIDE OR REAR ACCESS 90.00 INCHES VERTICAL CLEARANCE.
 3) OPEN WIREWAY 90.00 INCHES VERTICAL CLEARANCE.

DATE	10/7/2011	DATE	10/7/2011
DESIGNER	DSF	DESIGNER	DSF
REVISION	RH	REVISION	RH
PARTS LIST	6	PARTS LIST	6
MODEL REV	4	MODEL REV	4
TYPE	STANDARD	TYPE	STANDARD
DWG NO.	1A32044	DWG NO.	1A32044
TITLE	FLOOR PLAN - DISTRIBUTION CHASSIS	TITLE	FLOOR PLAN - DISTRIBUTION CHASSIS
PROJECT	SUMTER, SC	PROJECT	SUMTER, SC



Switchboard General Information

Pow-R-Line Xpert - Specifications

Quantity: 1

Alignment: Front Access/ Front and Rear Align

Service: 208Y/120V 3-Phase 4-Wire

Minimum Interrupt Rating: 65 kA

Bus Specifications

Bus Amps: 600

Bus Bracing Rating: 65kA

Neutral Amps: 600

Bus Material: Tin Plated Copper

Heat Test

Ground Bus Material: Tin Plated Copper Ground Bus Bolted To Frame, (1) #6-350 kcmil Ground Lug

Incoming Information

Incoming Entry: Bottom

Incoming Location: Left

Incoming Qty & Size: Terminals, Mechanical, (2) #2-500 kcmil, Bottom

Structure Specifications

Non Service Entrance

Enclosure Type: Type 1

Seismic Label (IBC/CBC Seismic Qualified) - Freestanding

Refer to seismic installation data sheet TD01508002E and drawing 1A32496 for details.

Special Notes

Qty Description

Catalog Number

1 8X space for EMON DMON metering (note this is an CN415350 approximation --This to be done by contractor

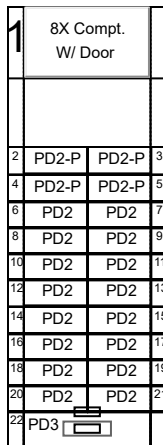
Enclosure properties

Struct #

Description/Modifications

1 Bottom incoming chassis mounted main device (Incoming Main Device/MLO Section)

<p>The information on this document is created by Eaton Corporation. It is disclosed in confidence and it is only to be used for the purpose in which it is supplied.</p>	PREPARED BY	DATE	<p>Eaton SumterSC</p>			
	JOHN H JANSEN	1/15/2023				
	APPROVED BY	DATE	JOB NAME	<p>P2S Engineering-- Compton Student Housing Electrical Equ Dist. Bd B3</p>		
VERSION	TYPE	DESIGNATION				
9.0.31.1	Switchboards		DRAWING TYPE	<p>CustAppr</p>		
REVISION	DWG SIZE	G.O.	ITEM			
NEG-ALT Number	0	DwgA		SHEET	<p>1 of 4</p>	
LAED0116X3K1-0000						



Front View

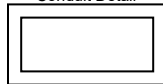
Struct	1	*
Depth	18	
Width	36	

Power Flow



See 1A32044 For Bottom Conduit Detail

Rear Floor Plan



Total of 1 Structures, Total Weight of 742 Weight-Lbs.
Total of 1 Structures, Total Width of 36 Inches

Structure					
Ship-Inches	36.00				
Ship-MM	914				
Width-Inches	36.00				
Width-MM	914				
Depth(Inner)-In.	18.00				
Depth(Inner)-MM	457				
Depth(Outer)-In.	18.00				
Depth(Outer)-MM	457				
Height-Inches	90.00				
Height-MM	2286				
Weight-Lbs.(Est.)	742				
Weight-Kg.(Est.)	336				

The information on this document is created by Eaton Corporation. It is disclosed in confidence and it is only to be used for the purpose in which it is supplied.

PREPARED BY JOHN H JANSEN	DATE 1/15/2023	Eaton		SumterSC	
APPROVED BY	DATE	JOB NAME P2S Engineering-- Compton Student Housing Electrical Equ	Dist. Bd B3		
VERSION 9.0.31.1	TYPE Switchboards	DRAWING TYPE CustAppr			
NEG-ALT Number LAED0116X3K1-0000	REVISION 0	DWG SIZE DwgA	G.O.	ITEM	SHEET 2 of 4

Switchboard Units Information

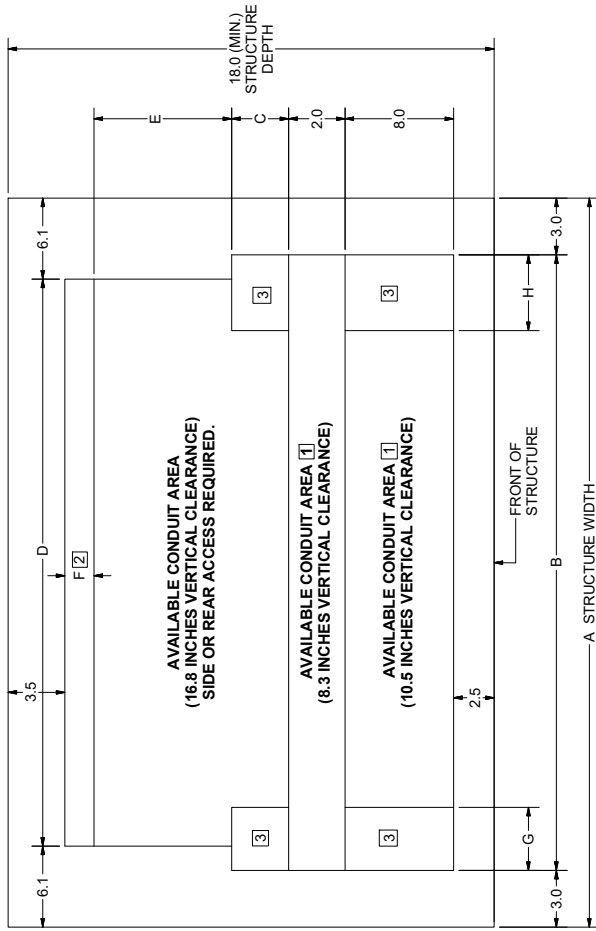
Str#	Unit	Description/Modifications	Nameplate
1	1	8X Compartment W/ Door	
	2	Feeder Breaker - Chassis Mtd-3P PD2 Provision, PROVISIONS FOR BREAKER ONLY Neutral Terminal, (1) #14-1/0	
	3	Feeder Breaker - Chassis Mtd-3P PD2 Provision, PROVISIONS FOR BREAKER ONLY Neutral Terminal, (1) #14-1/0	
	4	Feeder Breaker - Chassis Mtd-3P PD2 Provision, PROVISIONS FOR BREAKER ONLY Neutral Terminal, (1) #14-1/0	
	5	Feeder Breaker - Chassis Mtd-3P PD2 Provision, PROVISIONS FOR BREAKER ONLY Neutral Terminal, (1) #14-1/0	
	6	Feeder Breaker - Chassis Mtd-100A, 3P PDG23G Breaker [100A Frame], Trip 100A., Thermal Mag Terminals, Mechanical, (1) #14-1/0 Neutral Terminal, (1) #14-1/0	
	7	Feeder Breaker - Chassis Mtd-100A, 3P PDG23G Breaker [100A Frame], Trip 100A., Thermal Mag Terminals, Mechanical, (1) #14-1/0 Neutral Terminal, (1) #14-1/0	
	8	Feeder Breaker - Chassis Mtd-100A, 3P PDG23G Breaker [100A Frame], Trip 100A., Thermal Mag Terminals, Mechanical, (1) #14-1/0 Neutral Terminal, (1) #14-1/0	
	9	Feeder Breaker - Chassis Mtd-100A, 3P PDG23G Breaker [100A Frame], Trip 100A., Thermal Mag Terminals, Mechanical, (1) #14-1/0 Neutral Terminal, (1) #14-1/0	
	10	Feeder Breaker - Chassis Mtd-100A, 3P PDG23G Breaker [100A Frame], Trip 100A., Thermal Mag Terminals, Mechanical, (1) #14-1/0 Neutral Terminal, (1) #14-1/0	
	11	Feeder Breaker - Chassis Mtd-100A, 3P PDG23G Breaker [100A Frame], Trip 100A., Thermal Mag Terminals, Mechanical, (1) #14-1/0 Neutral Terminal, (1) #14-1/0	
	12	Feeder Breaker - Chassis Mtd-100A, 3P PDG23G Breaker [100A Frame], Trip 100A., Thermal Mag Terminals, Mechanical, (1) #14-1/0 Neutral Terminal, (1) #14-1/0	
	13	Feeder Breaker - Chassis Mtd-100A, 3P PDG23G Breaker [100A Frame], Trip 100A., Thermal Mag Terminals, Mechanical, (1) #14-1/0 Neutral Terminal, (1) #14-1/0	

The information on this document is created by Eaton Corporation. It is disclosed in confidence and it is only to be used for the purpose in which it is supplied.	PREPARED BY	DATE	Eaton SumterSC		
	JOHN H JANSEN	1/15/2023	JOB NAME	P2S Engineering-- Compton Student Housing Electrical Equ	
	APPROVED BY	DATE	DESIGNATION	Dist. Bd B3	
	VERSION	TYPE	DRAWING TYPE		
	9.0.31.1	Switchboards	CustAppr		
NEG-ALT Number	REVISION	DWG SIZE	G.O.	ITEM	SHEET
LAED0116X3K1-0000	0	DwgA			3 of 4

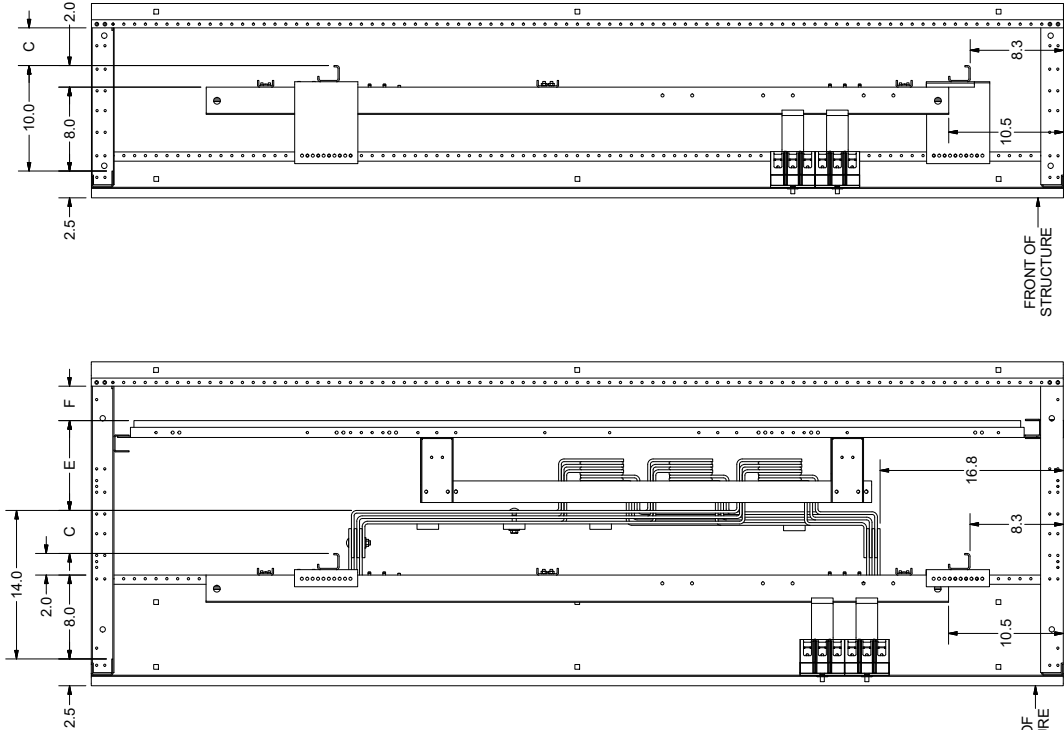
- 14 Feeder Breaker - Chassis Mtd-100A, 3P PDG23G Breaker [100A Frame], Trip 100A., Thermal Mag
Terminals, Mechanical, (1) #14-1/0
Neutral Terminal, (1) #14-1/0
- 15 Feeder Breaker - Chassis Mtd-100A, 3P PDG23G Breaker [100A Frame], Trip 100A., Thermal Mag
Terminals, Mechanical, (1) #14-1/0
Neutral Terminal, (1) #14-1/0
- 16 Feeder Breaker - Chassis Mtd-100A, 3P PDG23G Breaker [100A Frame], Trip 100A., Thermal Mag
Terminals, Mechanical, (1) #14-1/0
Neutral Terminal, (1) #14-1/0
- 17 Feeder Breaker - Chassis Mtd-100A, 3P PDG23G Breaker [100A Frame], Trip 100A., Thermal Mag
Terminals, Mechanical, (1) #14-1/0
Neutral Terminal, (1) #14-1/0
- 18 Feeder Breaker - Chassis Mtd-100A, 3P PDG23G Breaker [100A Frame], Trip 100A., Thermal Mag
Terminals, Mechanical, (1) #14-1/0
Neutral Terminal, (1) #14-1/0
- 19 Feeder Breaker - Chassis Mtd-100A, 3P PDG23G Breaker [100A Frame], Trip 100A., Thermal Mag
Terminals, Mechanical, (1) #14-1/0
Neutral Terminal, (1) #14-1/0
- 20 Feeder Breaker - Chassis Mtd-100A, 3P PDG23G Breaker [100A Frame], Trip 100A., Thermal Mag
Terminals, Mechanical, (1) #14-1/0
Neutral Terminal, (1) #14-1/0
- 21 Feeder Breaker - Chassis Mtd-100A, 3P PDG23G Breaker [100A Frame], Trip 100A., Thermal Mag
Terminals, Mechanical, (1) #14-1/0
Neutral Terminal, (1) #14-1/0
- 22 Main Breaker - Chassis Mtd-600A, 3P PDG33G Breaker [600A Frame], Trip 600A., PXR20 LSI,
None
Terminals, Mechanical, (2) #2-500 kcmil, Bottom
Neutral Terminal, (2) #4-500 kcmil

The information on this document is created by Eaton Corporation. It is disclosed in confidence and it is only to be used for the purpose in which it is supplied.	PREPARED BY	DATE	Eaton SumterSC		
	JOHN H JANSEN	1/15/2023			
	APPROVED BY	DATE	JOB NAME	P2S Engineering-- Compton Student Housing Electrical Equ Dist. Bd B3	
		DESIGNATION			
	VERSION	TYPE	DRAWING TYPE CustAppr		
	9.0.31.1	Switchboards			
NEG-ALT Number	REVISION	DWG SIZE	G.O.	ITEM	SHEET
LAED0116X3K1-0000	0	DwgA			4 of 4

**FLOOR PLAN
DISTRIBUTION CHASSIS**



STRUCTURE DIMENSIONS	A (INCHES)	B (INCHES)	C (INCHES)	D (INCHES)	E (INCHES)	F (INCHES)	G (INCHES)	H (INCHES)
36W X 18D	36.0	30.0	2.0	23.8	N/A	N/A	3.0	5.0
45W X 18D	45.0	39.0	2.0	32.8	N/A	N/A	5.0	12.0
51W X 18D	51.0	45.0	2.0	38.8	N/A	N/A	11.5	11.5
36W X 24D	36.0	30.0	4.0	23.8	4.0	N/A	3.0	5.0
45W X 24D	45.0	39.0	4.0	32.8	4.0	N/A	5.0	12.0
51W X 24D	51.0	45.0	4.0	38.8	4.0	N/A	11.5	11.5
36W X 30D	36.0	30.0	4.0	23.8	8.5	1.5	3.0	5.0
45W X 30D	45.0	39.0	4.0	32.8	8.5	1.5	5.0	12.0
51W X 30D	51.0	45.0	4.0	38.8	8.5	1.5	11.5	11.5
36W X 36D	36.0	30.0	4.0	23.8	8.5	7.5	3.0	5.0
45W X 36D	45.0	39.0	4.0	32.8	8.5	7.5	5.0	12.0
51W X 36D	51.0	45.0	4.0	38.8	8.5	7.5	11.5	11.5
36W X 48D	36.0	30.0	4.0	23.8	8.5	19.5	3.0	5.0
45W X 48D	45.0	39.0	4.0	32.8	8.5	19.5	5.0	12.0
51W X 48D	51.0	45.0	4.0	38.8	8.5	19.5	11.5	11.5
36W X 54D	36.0	30.0	4.0	23.8	8.5	25.5	3.0	5.0
45W X 54D	45.0	39.0	4.0	32.8	8.5	25.5	5.0	12.0
51W X 54D	51.0	45.0	4.0	38.8	8.5	25.5	11.5	11.5
36W X 66D	36.0	30.0	4.0	23.8	8.5	37.5	3.0	5.0
45W X 66D	45.0	39.0	4.0	32.8	8.5	37.5	5.0	12.0
51W X 66D	51.0	45.0	4.0	38.8	8.5	37.5	11.5	11.5



NOTES:
 1) FOR FUSIBLE SWITCHES, ALL CABLE ENTRY AREA BEHIND DISTRIBUTION CHASSIS AND CROSS BUS, REQUIRES SIDE OR REAR ACCESS.
 2) CONDUIT AREA AVAILABLE WITH SIDE OR REAR ACCESS 90.00 INCHES VERTICAL CLEARANCE.
 3) OPEN WIREWAY 90.00 INCHES VERTICAL CLEARANCE.

THE INFORMATION ON THIS DRAWING IS THE PROPERTY OF COMPTON CORPORATION AND IS ONLY TO BE USED FOR THE PURPOSE IN WHICH IT IS SUPPLIED.	REVISION NO.	3341	SCALE	NTS	MODEL NO.	1A32043G01IAM	REVISION	6	DATE	10/7/2011	DESIGNER	DSF	DRAWN BY	DSF
	REVISION				MODEL REV	4								
	TITLE	FLOOR PLAN - DISTRIBUTION CHASSIS												
	DATE	10/7/2011												
	PROJECT	3341												
	STANDARD	TYPE												
	TYPE	STANDARD												
	NO. OF SHEETS	4												
	SHEET	1 OF 1												

GO/NEG-Alt-Date: LAED0116X3K1-0000-1/15/2023		Job Name: P2S Engineering-- Compton Student Housing Electrical Equipment	
Item Number:	Catalog Number:	Designation: Dist. Bd B3	

Item No.	Qty	Product	Description
	1	Dry Type Transformers	Transformer Type: General Purpose Vented 3 Phase, 75 KVA, 1 K-Factor 480 Primary Volts 208Y/120 Secondary Volts Temperature Rise 150C with 220C Insulation System Aluminum Winding Material Sound Reduction : 0 NEMA ST-20 Audible Sound Level: 50 Efficiency : DOE 10 CFR Part 431 (2016) UL Listed : Y Enclosure Type: NEMA 2 (for N3R, select Weather Shield in Mods tab) Operating Frequency: 60 HZ Catalog No V48M28T7516 Designation 75 KVA DTD
	Qty	List of Materials	
	1		3 Phase, 75 KVA, 480 Primary Volts, 208Y/120 Secondary Volts, 150C with 220C Insulation System Temperature Rise, Aluminum Winding Material, 60 HZ

Item No.	Qty	Product	Description
	1	Dry Type Transformers	Transformer Type: General Purpose Vented 3 Phase, 45 KVA, 1 K-Factor 480 Primary Volts 208Y/120 Secondary Volts Temperature Rise 150C with 220C Insulation System Aluminum Winding Material Sound Reduction : 0 NEMA ST-20 Audible Sound Level: 45 Efficiency : DOE 10 CFR Part 431 (2016) UL Listed : Y Enclosure Type: NEMA 2 (for N3R, select Weather Shield in Mods tab) Operating Frequency: 60 HZ Catalog No V48M28T4516 Designation 45 KVA DTD
	Qty	List of Materials	
	1		3 Phase, 45 KVA, 480 Primary Volts, 208Y/120 Secondary Volts, 150C with 220C Insulation System Temperature Rise, Aluminum Winding Material, 60 HZ

Eaton Selling Policy 25-000 applies.

All orders must be released for manufacture within 90 days of date of order entry. If approval drawings are required, drawings must be returned approved for release within 60 days of mailing. If drawings are not returned accordingly, and/or if shipment is delayed for any reason, the price of the order will increase by 1.0% per month or fraction thereof for the time the shipment is delayed.

Seller shall not be responsible for any failure to perform, or delay in performance of, its obligations resulting from the COVID-19 pandemic or any future epidemic, and Buyer shall not be entitled to any damages resulting thereof.

Dry-Type Transformers General Information

- Standard Transformer Catalog Number: V48M28T7516
- Transformer Type: General Purpose Vented
- Phase: 3
- kVA: 75
- Primary Volts: 480
- Secondary Volts: 208Y/120
- Temperature Rise: 150C with 220C Insulation System
- Winding Material: Aluminum
- Enclosure Type: NEMA 2 (for N3R, select Weather Shield in Mods tab)
- Frequency (Hz): 60
- Frame: 942
- Wiring Diagram: 280B
- Weight (lbs.): 570
- Impedance (%): 3.61
- UL Listed: Y
- Max Practical Inrush (Amps): 270
- X/R: 1.3
- No Load Losses (Watts): 210
- Total Losses (Watts): 1941

Standard Values

- K-Factor: 1
- TAPS: 2@+2.5%, 4@-2.5%
- Sound Reduction (dB): 0
- NEMA ST20 Sound Level (dB): 50
- DOE 10 CFR Part 431 (2016) Efficient: Y
- Infrared Viewing Window: None

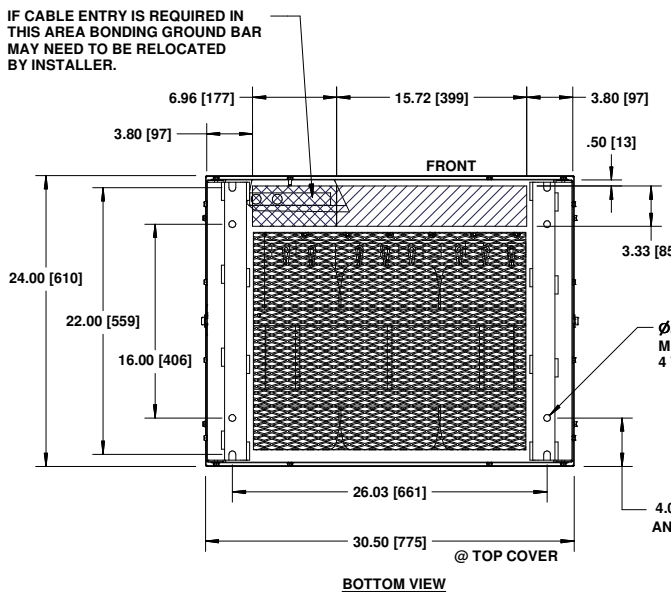
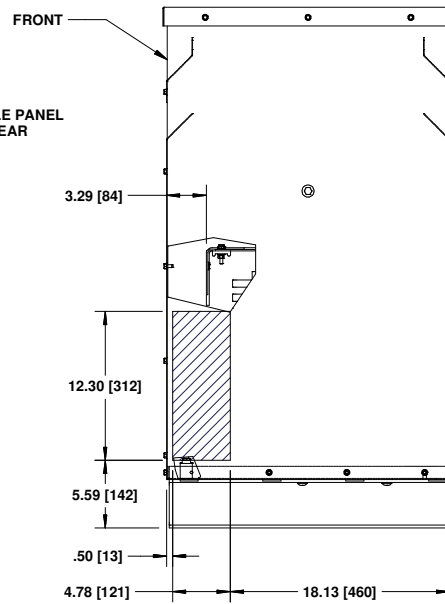
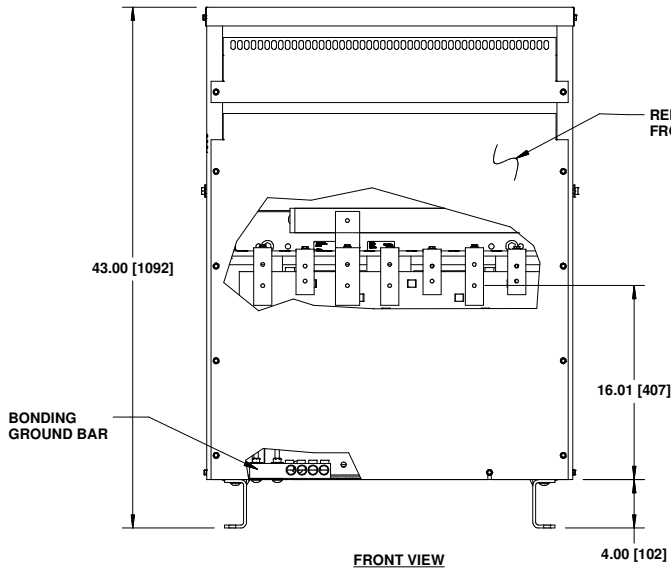
Field-Installed Accessories Included

- Lug Kit: Not Included

<p>The information on this document is created by Eaton. It is disclosed in confidence and it is only to be used for the purpose in which it is supplied.</p>	PREPARED BY JOHN H JANSEN	DATE 4/10/2023	Eaton		
	APPROVED BY	DATE	JOB NAME 2023 April Miscellaneous	DESIGNATION 75 KVA DTD	
	VERSION 1.0.0.4	TYPE Dry-Type Transformer	DRAWING TYPE Customer Appr.		
NEG-ALT Number LAED0330X3K1-0000	REVISION 0	DWG SIZE A	G.O.	ITEM	SHEET 1 of 1

NOTE:

1. ALL UNITS ARE DESIGNED IN ACCORDANCE WITH APPLICABLE NEMA, UL, ANSI, AND IEEE STANDARDS.
2. DRY-TYPE VENTILATED, CLASS AA, NEMA TYPE 2 ENCLOSURE.
3. FOR NEMA 3R OUTDOOR APPLICATION, USE WEATHERSHIELD # WS59.
4. TRANSFORMERS ARE FLOOR-MOUNTED. USE WALL-MOUNT BRACKET WMB04 FOR WALL-MOUNTING.
5. 220°C CLASS INSULATION SYSTEM.
6. PAINT COLOR IS ANSI #61.
7. ALUMINUM UNITS HAVE ALUMINUM WINDINGS AND TERMINATIONS. COPPER UNITS HAVE COPPER WINDINGS AND TERMINATIONS.
8. TRANSFORMER CAN BE INSTALLED AT A MIN. DISTANCE TO BACK AND SIDE WALLS OF 2 INCHES AND TO A 6 INCHES MIN. DISTANCE TO BACK WALLS WHEN WEATHERSHIELDS ARE NEEDED. WALLMOUNT BRACKETS CANNOT BE USED IN COMBINATION WITH WEATHERSHIELDS.
9. DIMENSIONS IN INCHES(MM).

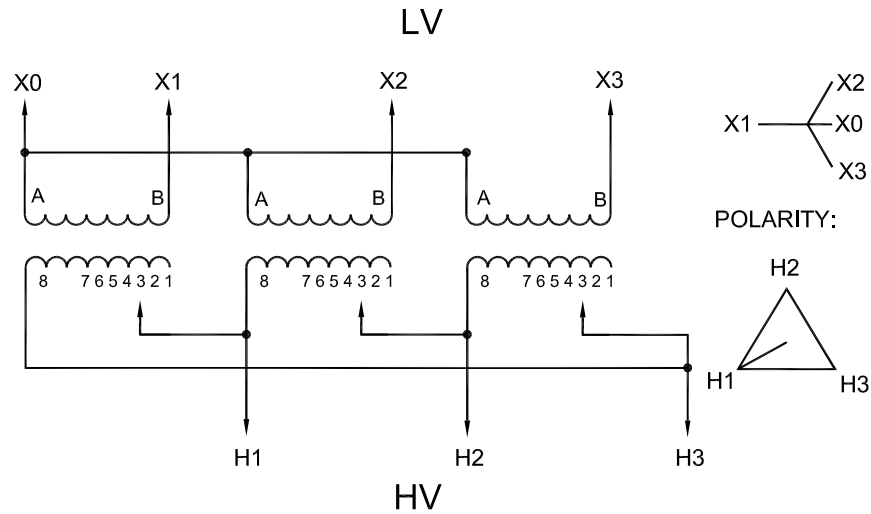


USE 12.30[312] x 4.78[121] BOTH SIDES, AND (15.72[399]+6.96[177]) x 3.33[85] ON BOTTOM AS RECOMMENDED CABLE ENTRY LOCATIONS.

PRODUCT CODE: -		FEDERAL ID NO. -			DFTR	DATE	THE INFORMATION ON THIS DOCUMENT WAS CREATED BY EATON CORPORATION. IT WAS DISCLOSED IN CONFIDENCE AND IS ONLY TO BE USED FOR THE PURPOSE IN WHICH IT WAS SUPPLIED.			
6	CO-0204443	J.C.S.	D.G.	31/03/2021	J.C.S.	29/10/2015	TITLE DRY TYPE TRANSFORMER OUTLINE			
5	ECO-164756	J.C.S.	C.B.	07/05/2019	APPD	DATE	TYPE DRY TYPE TRANSFORMERS			OUTLINE
4	ECO-133517	J.G.	C.B.	15/01/2018	D.G.	29/10/2015	G.O.			DWG
REV	DESCRIPTION	DFTR	APPD	DATE	REVISION		FR942			SHEET 1 OF 1
REVISIONS					6					

GO/NEG-Alt-Date: LAED0330X3K1-0000-4/10/2023		Job Name: 2023 April Miscellaneous	
Item Number: V48M28T7516	Catalog Number: V48M28T7516	Designation: 75 KVA DTD	

VOLTS	TAP
504	1
492	2
480	3
468	4
456	5
444	6
432	7



PRODUCT CODE: TRANSFORMERS		FEDERAL ID NO.		DFTR	DATE	THE INFORMATION ON THIS DOCUMENT WAS CREATED BY EATON CORPORATION. IT WAS DISCLOSED IN CONFIDENCE AND IS ONLY TO BE USED FOR THE PURPOSE IN WHICH IT WAS SUPPLIED.		EATON	
HEG					12/01/01	TITLE		DRY TYPE TRANSFORMER WIRING SCHEMATIC	
APPD				EER	DATE	TYPE		DRY TYPE TRANSFORMER	
EER					12/01/01	WIRING		WIRING	
S.O.						G.O.		DWG	
4		UPDATE FORMAT EATON & CHANGE DESC. TO HV/LV		J.C.S.	C.B.	10/JUN/14	280B		SHEET 1 OF 01
REVISIONS				REVISION	04				

GO/NEG-Alt-Date: LAED0330X3K1-0000-4/10/2023		Job Name: 2023 April Miscellaneous	
Item Number:	Catalog Number: V48M28T7516	Designation: 75 KVA DTD	

Dry-Type Transformers General Information

- Standard Transformer Catalog Number: V48M28T4516
- Transformer Type: General Purpose Vented
- Phase: 3
- kVA: 45
- Primary Volts: 480
- Secondary Volts: 208Y/120
- Temperature Rise: 150C with 220C Insulation System
- Winding Material: Aluminum
- Enclosure Type: NEMA 2 (for N3R, select Weather Shield in Mods tab)
- Frequency (Hz): 60
- Frame: 940
- Wiring Diagram: 280B
- Weight (lbs.): 416
- Impedance (%): 3.51
- UL Listed: Y
- Max Practical Inrush (Amps): 165
- X/R: 0.96
- No Load Losses (Watts): 140
- Total Losses (Watts): 1314

Standard Values

- K-Factor: 1
- TAPS: 2@+2.5%, 4@-2.5%
- Sound Reduction (dB): 0
- NEMA ST20 Sound Level (dB): 45
- DOE 10 CFR Part 431 (2016) Efficient: Y
- Infrared Viewing Window: None

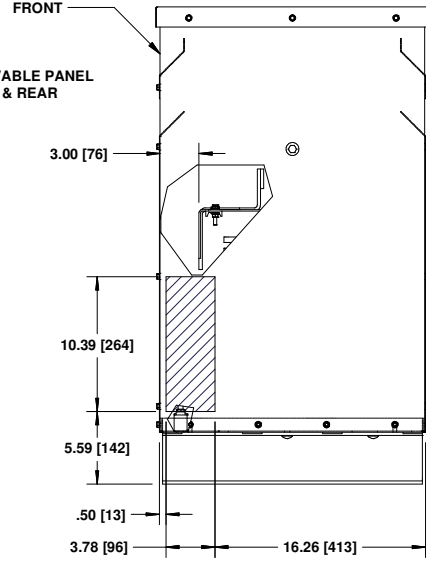
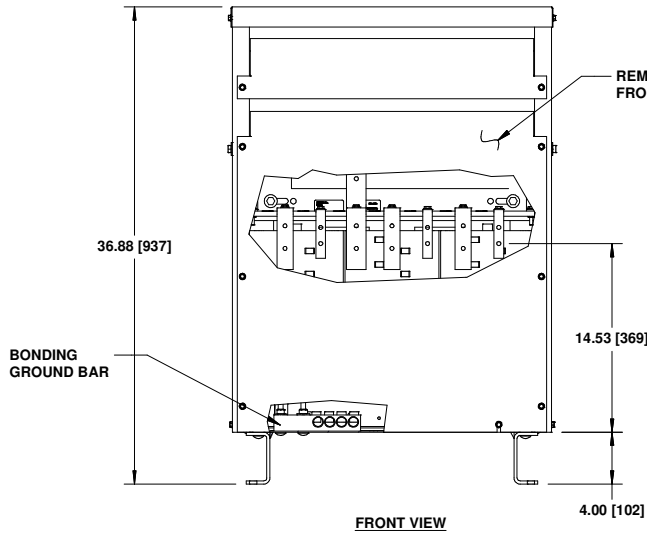
Field-Installed Accessories Included

- Lug Kit: Not Included

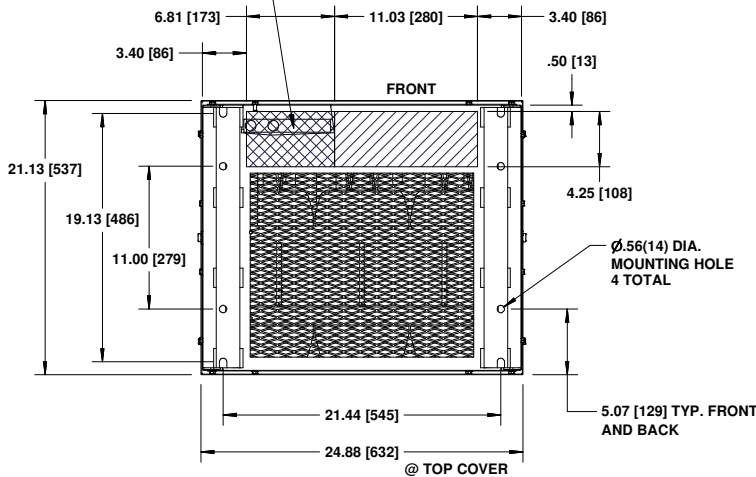
<p>The information on this document is created by Eaton. It is disclosed in confidence and it is only to be used for the purpose in which it is supplied.</p>	PREPARED BY JOHN H JANSEN	DATE 4/10/2023	Eaton		
	APPROVED BY	DATE	JOB NAME 2023 April Miscellaneous	DESIGNATION 45 KVA DTD	
	VERSION 1.0.0.4	TYPE Dry-Type Transformer	DRAWING TYPE Customer Appr.		
NEG-ALT Number LAED0330X3K1-0000	REVISION 0	DWG SIZE A	G.O.	ITEM	SHEET 1 of 1

NOTE:

1. ALL UNITS ARE DESIGNED IN ACCORDANCE WITH APPLICABLE NEMA, UL, ANSI, AND IEEE STANDARDS.
2. DRY-TYPE VENTILATED, CLASS AA, NEMA TYPE 2 ENCLOSURE.
3. FOR NEMA 3R OUTDOOR APPLICATION, USE WEATHERSHIELD # WS58.
4. TRANSFORMERS ARE FLOOR-MOUNTED. USE WALL-MOUNT BRACKET WMB05 FOR WALL-MOUNTING.
5. 220°C CLASS INSULATION SYSTEM.
6. PAINT COLOR IS ANSI #61.
7. ALUMINUM UNITS HAVE ALUMINUM WINDINGS AND TERMINATIONS. COPPER UNITS HAVE COPPER WINDINGS AND TERMINATIONS.
8. TRANSFORMER CAN BE INSTALLED AT A MIN. DISTANCE TO BACK AND SIDE WALLS OF 2 INCHES AND TO A 6 INCHES MIN. DISTANCE TO BACK WALLS WHEN WEATHERSHIELDS ARE NEEDED. WALLMOUNT BRACKETS CANNOT BE USED IN COMBINATION WITH WEATHERSHIELDS.
9. DIMENSIONS IN INCHES[mm].



IF CABLE ENTRY IS REQUIRED IN THIS AREA BONDING GROUND BAR MAY NEED TO BE RELOCATED BY INSTALLER.

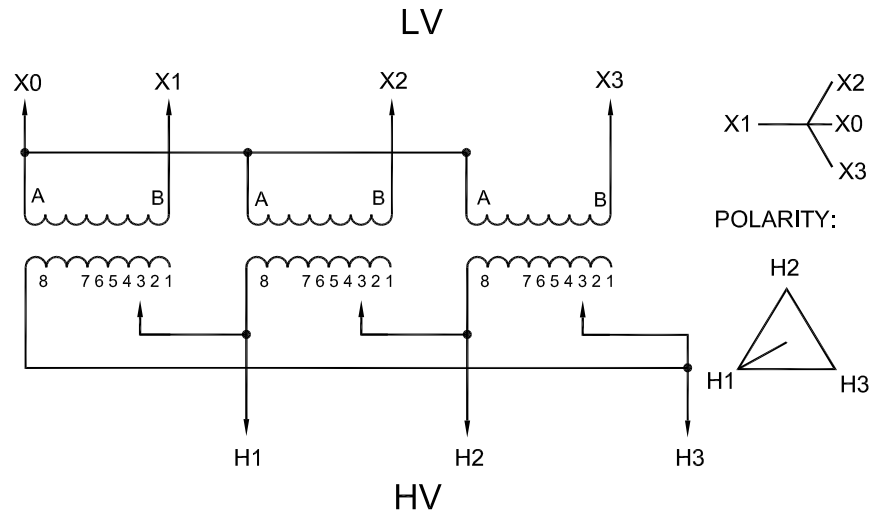


USE 10.39[264] x 3.78[96] BOTH SIDES, AND (11.03[280]+6.81[173]) x 4.25[108] ON BOTTOM AS RECOMMENDED CABLE ENTRY LOCATIONS.

PRODUCT CODE: -		FEDERAL ID NO. -			DFTR	DATE	THE INFORMATION ON THIS DOCUMENT WAS CREATED BY EATON CORPORATION. IT WAS DISCLOSED IN CONFIDENCE AND IS ONLY TO BE USED FOR THE PURPOSE IN WHICH IT WAS SUPPLIED.			
7	CO-0204443	J.C.S.	D.G.	31/03/2021	J.C.S.	29/10/2015	TITLE DRY TYPE TRANSFORMER OUTLINE			
6	ECO-164756	J.C.S.	C.B.	07/05/2019	APPD	D.G.	29/10/2015	TYPE DRY TYPE TRANSFORMER		OUTLINE
5	ECO-133517	J.G.	C.B.	15/01/2018	S.O.			G.O.		DWG
REV	DESCRIPTION	DFTR	APPD	DATE	REVISION	7		FR940		SHEET 1 OF 1

GO/NEG-Alt-Date: LAED0330X3K1-0000-4/10/2023		Job Name: 2023 April Miscellaneous	
Item Number: V48M28T4516	Catalog Number: V48M28T4516	Designation: 45 KVA DTD	

VOLTS	TAP
504	1
492	2
480	3
468	4
456	5
444	6
432	7



PRODUCT CODE: TRANSFORMERS		FEDERAL ID NO.		DFTR	DATE	THE INFORMATION ON THIS DOCUMENT WAS CREATED BY EATON CORPORATION. IT WAS DISCLOSED IN CONFIDENCE AND IS ONLY TO BE USED FOR THE PURPOSE IN WHICH IT WAS SUPPLIED.			
				HEG	12/01/01				
				APPD	DATE	TITLE			
				EER	12/01/01	DRY TYPE TRANSFORMER WIRING SCHEMATIC			
				S.O.		TYPE		WIRING	
4		UPDATE FORMAT EATON & CHANGE DESC. TO HV/LV		J.C.S.	C.B.	10/JUN/14		DRY TYPE TRANSFORMER	
REV	DESCRIPTION	DFTR	APPD	DATE	REVISION	G.O.	DWG	280B	
REVISIONS					04			SHEET 1 OF 01	

GO/NEG-Alt-Date: LAED0330X3K1-0000-4/10/2023		Job Name: 2023 April Miscellaneous	
Item Number:	Catalog Number: V48M28T4516	Designation: 45 KVA DTD	

Dry-Type Transformers General Information

- Standard Transformer Catalog Number: V48M28T4916
- Transformer Type: General Purpose Vented
- Phase: 3
- kVA: 150
- Primary Volts: 480
- Secondary Volts: 208Y/120
- Temperature Rise: 150C with 220C Insulation System
- Winding Material: Aluminum
- Enclosure Type: NEMA 2 (for N3R, select Weather Shield in Mods tab)
- Frequency (Hz): 60
- Frame: 943
- Wiring Diagram: 280B
- Weight (lbs.): 1239
- Impedance (%): 3.46
- UL Listed: Y
- Max Practical Inrush (Amps): 516
- X/R: 1.72
- No Load Losses (Watts): 350
- Total Losses (Watts): 3229

Standard Values

- K-Factor: 1
- TAPS: 2@+2.5%, 4@-2.5%
- Sound Reduction (dB): 0
- NEMA ST20 Sound Level (dB): 50
- DOE 10 CFR Part 431 (2016) Efficient: Y
- Infrared Viewing Window: None

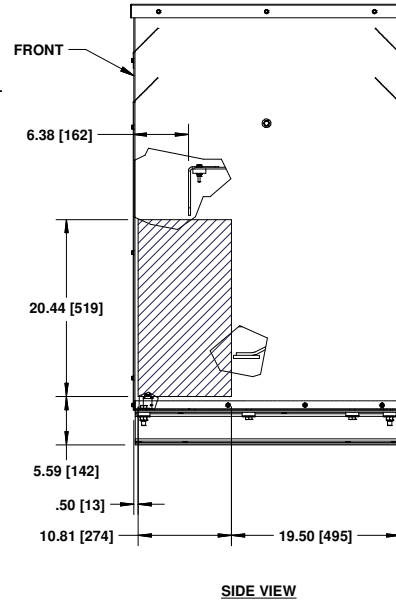
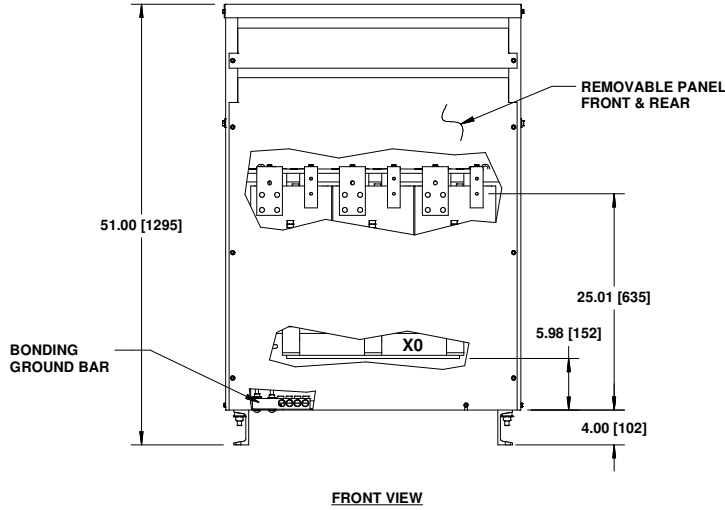
Field-Installed Accessories Included

- Lug Kit: Not Included

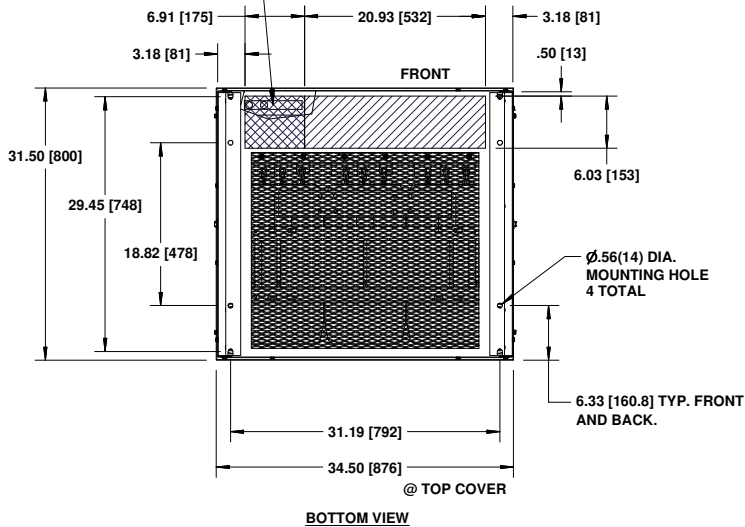
<p>The information on this document is created by Eaton. It is disclosed in confidence and it is only to be used for the purpose in which it is supplied.</p>	PREPARED BY JOHN H JANSEN	DATE 12/21/2022	Eaton		
	APPROVED BY	DATE	JOB NAME P2S Engineering	DESIGNATION 150 KVA Dry type Transformer	
	VERSION 1.0.0.4	TYPE Dry-Type Transformer	DRAWING TYPE Customer Appr.		
NEG-ALT Number LAED0721X2K2-0002	REVISION 0	DWG SIZE A	G.O.	ITEM	SHEET 1 of 1

NOTE:

1. ALL UNITS ARE DESIGNED IN ACCORDANCE WITH APPLICABLE NEMA, UL, ANSI, AND IEEE STANDARDS.
2. DRY-TYPE VENTILATED, CLASS AA, NEMA TYPE 2 ENCLOSURE.
3. FOR NEMA 3R OUTDOOR APPLICATION, USE WEATHERSHIELD # WS60.
4. TRANSFORMERS ARE FLOOR-MOUNTED. USE WALL-MOUNT BRACKET WMB04 FOR WALL-MOUNTING.
5. 220°C CLASS INSULATION SYSTEM.
6. PAINT COLOR IS ANSI #61.
7. ALUMINUM UNITS HAVE ALUMINUM WINDINGS AND TERMINATIONS. COPPER UNITS HAVE COPPER WINDINGS AND TERMINATIONS.
8. TRANSFORMER CAN BE INSTALLED AT A MIN. DISTANCE TO BACK AND SIDE WALLS OF 2 INCHES AND TO A 6 INCHES MIN. DISTANCE TO BACK WALLS WHEN WEATHERSHIELDS ARE NEEDED. WALL MOUNT BRACKETS CANNOT BE USED IN COMBINATION WITH WEATHERSHIELDS.
9. DIMENSIONS IN INCHES(mm).



IF CABLE ENTRY IS REQUIRED IN THIS AREA BONDING GROUND BAR MAY NEED TO BE RELOCATED BY INSTALLER.

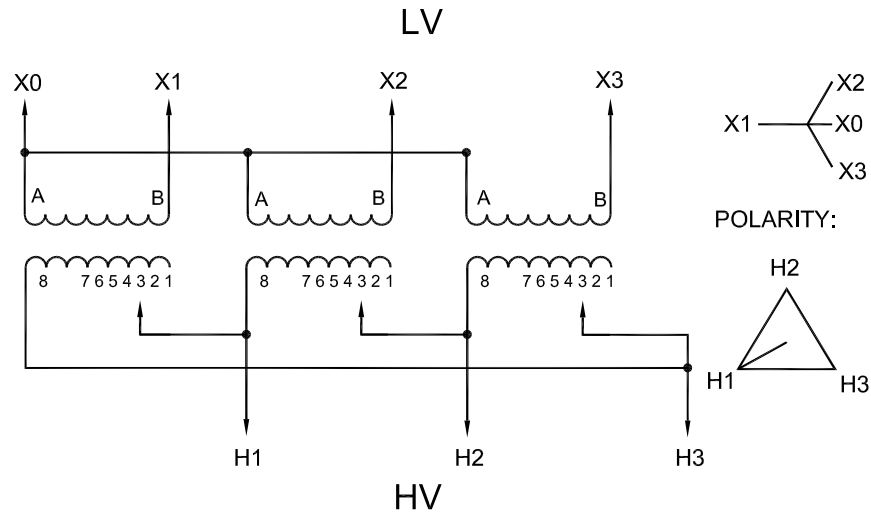


USE 20.44[519] x 10.81[275] BOTH SIDES, AND (20.93[532]+6.91[176]) x 6.03[153] ON BOTTOM AS RECOMMENDED CABLE ENTRY LOCATIONS.

PRODUCT CODE: -		FEDERAL ID NO. -			DFTR	DATE	THE INFORMATION ON THIS DOCUMENT WAS CREATED BY EATON CORPORATION. IT WAS DISCLOSED IN CONFIDENCE AND IS ONLY TO BE USED FOR THE PURPOSE IN WHICH IT WAS SUPPLIED.			
6	CO-0204443	J.C.S.	J.C.S.	31/03/2021	S.B.	29/10/2015	TITLE DRY TYPE TRANSFORMER OUTLINE			
5	ECO-164756	J.C.S.	C.B.	08/05/2019	APPD	DATE	TYPE DRY TYPE TRANSFORMER			OUTLINE
4	ECO-133517	J.G.	C.B.	14/01/2018	D.G.	29/10/2015	G.O.			DWG
REVISIONS					REVISION	6		FR943		SHEET 1 OF 1

GO/NEG-Alt-Date: LAED0721X2K2-0002-12/21/2022		Job Name: P2S Engineering	
Item Number: V48M28T4916	Catalog Number: V48M28T4916	Designation: 150 KVA Dry type Transformer	

VOLTS	TAP
504	1
492	2
480	3
468	4
456	5
444	6
432	7

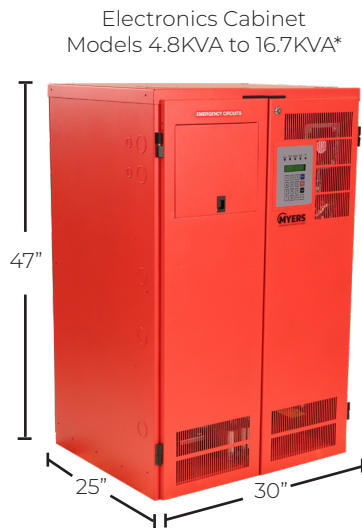


PRODUCT CODE: TRANSFORMERS		FEDERAL ID NO.		DFTR	DATE	THE INFORMATION ON THIS DOCUMENT WAS CREATED BY EATON CORPORATION. IT WAS DISCLOSED IN CONFIDENCE AND IS ONLY TO BE USED FOR THE PURPOSE IN WHICH IT WAS SUPPLIED.		EATON	
HEG				APPD	DATE	TITLE			
EER				12/01/01		DRY TYPE TRANSFORMER WIRING SCHEMATIC			
S.O.						TYPE		WIRING	
4		UPDATE FORMAT EATON & CHANGE DESC. TO HV/LV		J.C.S.	C.B.	10/JUN/14	DRY TYPE TRANSFORMER		
REV	DESCRIPTION	DFTR	APPD	DATE	REVISION	G.O.	DWG	SHEET	
					04		280B	1 OF 01	

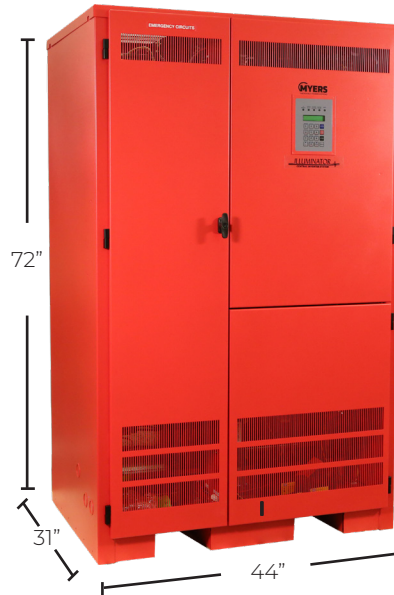
GO/NEG-Alt-Date: LAED0721X2K2-0002-12/21/2022		Job Name: P2S Engineering	
Item Number:	Catalog Number: V48M28T4916	Designation: 150 KVA Dry type Transformer	

Illuminator CIII Emergency Lighting Inverter System

3-Phase Systems 4.8KVA/KW to 50KVA/KW



Electronics Cabinet
Models 24kVA to 50kVA*



*Electronics cabinet dimensions. Please refer to chart on next page for battery cabinet dimensions.

STANDARD FEATURES

- 98% Efficient (Typical)
- UL 924 Listed
- PWM/IGBT Technology & Microprocessor Control
- Internal Maintenance Bypass
- User Programmable with Password Protection
- Automatic Event & Alarm Log
- RS232 Communications Port
- Input Circuit Breaker
- Low Audible Noise

OPTIONAL FEATURES

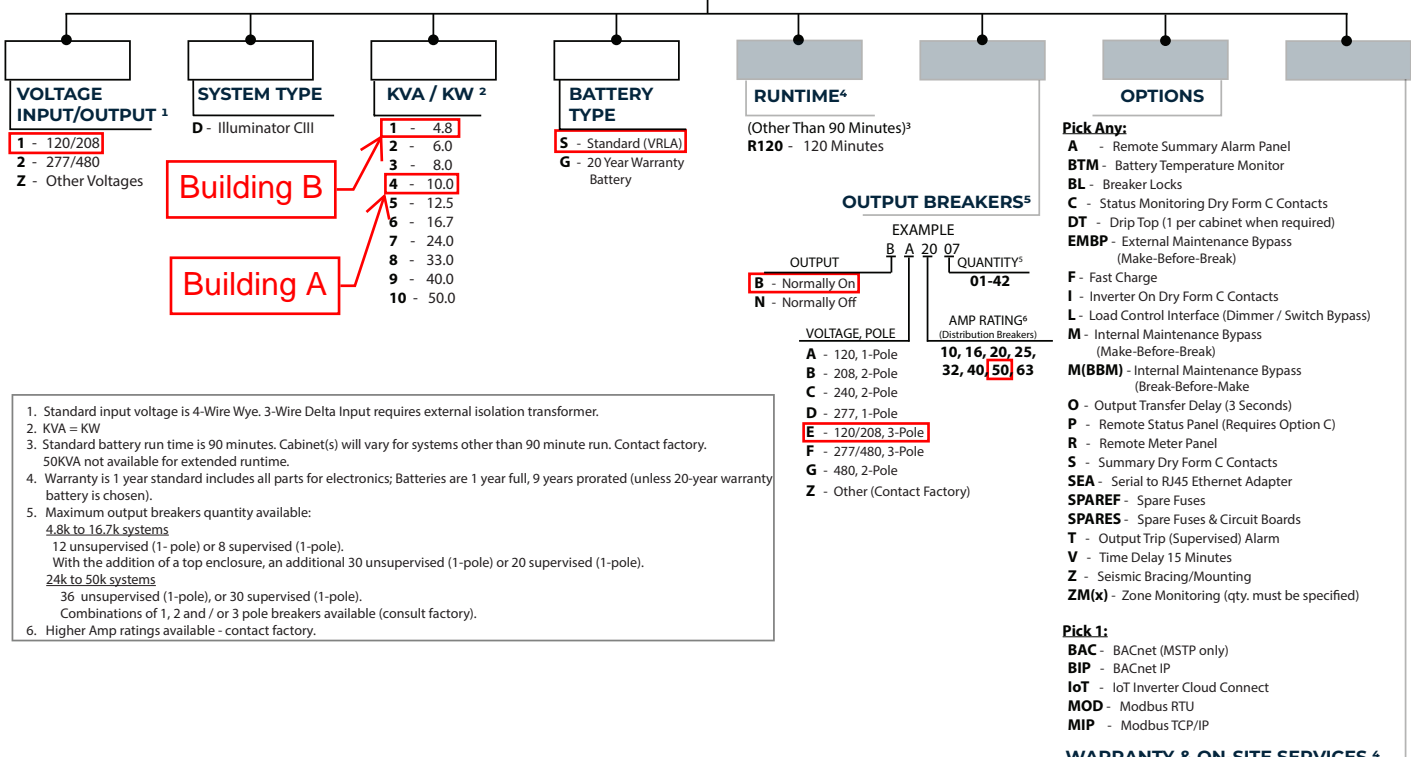
- Enhanced Communications
Expanded Building Management Protocols
BACnet or Modbus Communications Interface
NEW IoT Connect Cloud Software
- External Maintenance Bypass
- Internal Maintenance Bypass
- Status Monitoring Dry Form C Contacts
- Summary Dry Form C Contacts
- Output Circuit Breakers
- Remote Meter Panel
- Extended Factory Warranty, Startup & Training

SPECIFICATIONS

- Input 120/208 or 277/480 VAC 3 Phase 4 Wire Wye Configuration
- Output 120/208 or 277/480 VAC 3 Phase Wye Or Delta Configuration
- Output Load Power Factor .5 Lag to .5 Lead
- LED, Electronic & Magnetic Ballast Compatible
- Output Distortion Less Than 3% THD For Linear Loads
- Generator Compatibility
- Forced Air Cooling Only During Emergency Operation; No Filters Required
- 90 Minute Runtime Standard; Additional Runtimes Available Upon Request
- Inverter Operating Temperature 32°F to 104°F (0°C to 40 °C)
- Battery Operating Temperature 68°F to 86°F (20°C to 30°C) per UL 924 Specifications

ORDERING GUIDE

Example Model Number:
1-D-4-S-A2007-F-2YW



- Standard input voltage is 4-Wire Wye. 3-Wire Delta Input requires external isolation transformer.
- KVA = KW
- Standard battery run time is 90 minutes. Cabinet(s) will vary for systems other than 90 minute run. Contact factory. 50KVA not available for extended runtime.
- Warranty is 1 year standard includes all parts for electronics; Batteries are 1 year full, 9 years prorated (unless 20-year warranty battery is chosen).
- Maximum output breakers quantity available:
4.8k to 16.7k systems
12 unsupervised (1-pole) or 8 supervised (1-pole).
With the addition of a top enclosure, an additional 30 unsupervised (1-pole) or 20 supervised (1-pole).
24k to 50k systems
36 unsupervised (1-pole), or 30 supervised (1-pole).
Combinations of 1, 2 and / or 3 pole breakers available (consult factory).
- Higher Amp ratings available - contact factory.

= Required feature for part number.

= Optional feature. Not required for part number.

WARRANTY & ON-SITE SERVICES⁴

- 2YW - Start Up & Same Day Training
- 2YWT - Start Up, Same Day Training and Full Run Test
- 5YP - 5-Year Preventative Maintenance Plan
- 5YW - 5-Year Extended Electronics Warranty
- TR - Training On Day Other Than Start Up Date

DIMENSIONS (90 MINUTE RUN SYSTEMS)³

Partial Model Number	UPS Electronics Module									Batteries		Battery Module										Tot. Sys. Wt.
	Power Rating (kVA)	Power Rating (kW)	Efficiency (@ full load) (Typical)	Audible Noise (dBA @ 1m)	Heat Loss (BTU)	Cabinet Dimensions				Total Battery Weight	Number of Batteries	Voltage (VDC)	Current (Amperes)	Run Time (mins)	Cabinet Dimensions				Number of Battery Cabinets			
						Width	Height	Depth	Weight						Width	Height	Depth	Weight				
						in/cm	in/cm	in/cm	lbs/kg						in/cm	in/cm	in/cm	lbs/kg				
D-1-S	4.8	4.8	98	45	326	30/77	47/120	25/64	535/243	888/403	12	144	39	90	30/77	47/120	25/64	210/96	1	1633/741		
D-2-S	6.0	6.0	98	45	408	30/77	47/120	25/64	535/243	1110/504	15	180	39	90	30/77	47/120	25/64	210/96	1	1855/842		
D-3-S	8.0	8.0	98	45	544	30/77	47/120	25/64	535/243	1480/672	20	240	39	90	30/77	47/120	25/64	232/106	1	2247/1020		
D-4-S	10.0	10.0	98	45	680	30/77	47/120	25/64	639/290	1776/806	24	144	81	90	30/77	47/120	25/64	420/191	1	2835/1286		
D-5-S	12.5	12.5	98	45	850	30/77	47/120	25/64	639/290	2220/1007	30	180	81	90	30/77	47/120	25/64	420/191	2	3279/1488		
D-6-S	16.7	16.7	98	45	1136	30/77	47/120	25/64	639/290	2960/1343	40	240	81	90	30/77	47/120	25/64	464/211	2	4063/1843		
D-7-S	24.0	24.0	98	45	1632	44/112	72/183	31/79	1250/567	4440/2014	60	240	117	90	48/122	72/183	31/79	700/318	1	6390/2899		
D-8-S	33.0	33.0	98	45	2244	44/112	72/183	31/79	1250/567	6080/2758	80	240	160	90	48/122	72/183	31/79	1300/590	2	8630/3915		
D-9-S	40.0	40.0	98	45	2720	44/112	72/183	31/79	1450/658	7400/3357	100	240	194	90	48/122	72/183	31/79	1300/590	2	10150/4604		
D-10-S	50.0	50.0	98	45	3400	44/112	72/183	31/79	1460/658	9120/4137	120	240	243	90	48/122	72/183	31/79	1400/635	2	11980/5434		

