



# Compton College Student Housing

1111 E. Artesia Blvd., Compton, CA 90221



## Restroom Accessories Cutsheets

April 17, 2023



**TABLE OF CONTENTS**

<b>ID</b>	<b>MODEL</b>	<b>DESCRIPTION</b>
GBR1 GBR2 GBR3	BOBRICK B-6806	GRAB BAR - 24", 36", AND 42"
PTW	BOBRICK B-3944	RECESSED PAPER TOWEL DISPENSER AND WASTE RECEPTACLE
PTW1	BOBRICK B-3940	RECESSED PAPER TOWEL DISPENSER AND WASTE RECEPTACLE
MIR MIR1	BOBRICK B-1658	TEMPERED GLASS CHANNEL FRAME MIRROR - 3048 AND 3042
SCD	WAUSAU SILHOUETTE 19510	SEAT COVER DISPENSER
SND	BOBRICK B-270	PARTITION MOUNTED SANITARY NAPKING DISPOSAL
SCTD	BOBRICK B-3474	RECESSED SEAT COVER DISPENSER AND TOILET TISSUE DISPENSER - MEN
SCTD	BOBRICK B-35745	RECESSED SEAT COVER DISPENSER AND TOILET TISSUE DISPENSER - WOMEN
SPD	IMPACT 9325	SOAP DISPENSER
CHB	BOBRICK-B233	COAT HOOK AND BUMPER
SH	BOBRICK B-683X24	STAINLESS STEEL WALL MOUNTED SHELF
SNV1	BOBRICK B-4706 25	SANITARY NAPKIN/TAMPON VENDOR 25 CENT - RECESSED
TTD1	BOBRICK B-6677	TOILET TISSUE DISPENSER - RECESSED - UNITS
TTD2	WAUSAU DUBL-SERV 80200	TOILET TISSUE DISPENSER - 2 ROLL, SURFACE MOUNTED (NON-ADA)
TBS	BOBRICK B-545	TOWEL BAR - UNITS
BGT	KOALA KB310-SSWM	BABY CHANGE TABLE & BAG HOOK
WR	BOBRICK B-35643	WASTE RECEPTACLE - RECESSED
SHS	BOBRICK B-5181	SHOWER SEAT



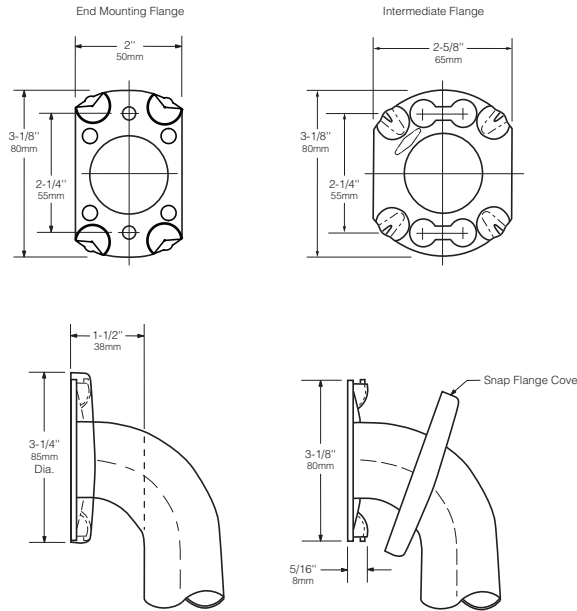
**Technical Data**

**1½" (38mm) DIAMETER  
STAINLESS STEEL GRAB  
BARS WITH SNAP FLANGE**

**B-6806  
SERIES**

Specify Finish Required:

- Satin-finish, slip-resistant surface
- Peened surface; add suffix .99 to model number



<p><b>HORIZONTAL</b></p>	<p><b>VERTICAL</b></p>	<p><b>TWO-WALL WHEELCHAIR COMPARTMENT</b></p>
<p><b>B-6806 x 12, 18, 24, 30, 36, 42, 48</b></p>		<p><b>B-68137</b></p>
<p><b>HORIZONTAL TUB / SHOWER COMPARTMENT BAR 24 x 36</b></p>	<p><b>HORIZONTAL TWO-WALL BAR for Shower Stall</b></p>	<p><b>TWO-WALL TOILET COMPARTMENT BAR 42 x 54</b></p>
<p><b>B-68616</b></p>	<p><b>B-6861</b></p>	<p><b>B-6897</b></p>
<p style="text-align: right;">continued . . .</p>		

**MATERIALS:**

**Grab Bar** — 18-8 S, type-304, 18-gauge (1.2mm) stainless steel tubing with satin-finish, slip-resistant surface. 1-1/2" (38mm) outside diameter. Ends are heliarc welded to flanges. Clearance between the grab bar and wall is 1-1/2" (38mm).

**Concealed Mounting Flanges** — 18-8 S, type-304, 11-gauge (3.2mm) thick, stainless steel plate; end flanges 2" x 3-1/8" (50 x 80mm) with holes for attachment to wall. Intermediate flanges 2-5/8" x 3-1/8" (65 x 80mm) wide x 3-1/8" (80mm) diameter.

**Snap Flange Covers** — 18-8 S, type-304, 22-gauge (0.8mm) drawn stainless steel with satin-finish. 3-1/4" (85mm) diameter x 1/2" (13mm) deep. Each cover snaps over mounting flange to conceal mounting screws.

**STRENGTH:**

Bobrick grab bars that provide 1-1/2" (38mm) clearance from wall can support loads in excess of 900 pounds (408kg) if properly installed. Other grab bar configurations can support loads in excess of 250 pounds (113kg) if properly installed, complying with accessible design (including ADAAG in the U.S.A.) for structural strength

**Safety Warning: Grab bars are no stronger than the anchors and walls to which they are attached and, therefore, must be firmly secured in order to support the loads for which they are intended. To avoid potential injury, the building owner or maintenance personnel should remove the grab bar from service if the grab bar is not adequately secured to wall or if there is any observed damage to the welds.**

**INSTALLATION:**

Provide concealed anchor device or backing as specified or required in accordance with local building codes before wall is finished. Fasten concealed mounting flanges to anchor device or backing with at least two screws opposing each other in each flange. Snap flange covers over each mounting flange to conceal mounting screws. Concealed anchor devices and mounting screws are not included with Bobrick grab bars and must be specified as an accessory.

For Grab Bars with an Intermediate Flange(s), Pull Snap-Flange Covers away from mounting flanges. Place grab bar in desired mounting location. Use intermediate flange as a template to mark location of mounting screws at intermediate flange only. Mark screw locations at the center of the slot in the middle of the double-keyhole shaped mounting holes (2) in the intermediate flange. Remove grab bar from wall. Drive the intermediate flange mounting screws into wall at marked locations. **Note:** Make sure to leave a space of just over 1/8" (3.17mm) between the underside of the screw head and the wall. Install grab bar on the wall by placing the round ends of the intermediate flange double-keyhole shaped mounting holes over the mounting screws (2) are located in the middle of the flange slots. Install the mounting screws into the wall at the end flanges and secure tightly. Tighten the mounting screws at the intermediate flange. Press all snap-flange covers into place to conceal mounting flanges.

**Note:** Recommend use of 1/4" or #14 sheet metal or wood screws to install Intermediate Flange. #12 screws may also be used.

**Important Notes:**

- Mounting Kits** — Bobrick offers a mounting kit for installing grab bars; **one Bobrick mounting kit is required for each flange.**

Mounting Kit No.	Description
252-30	Consists of # (3) 14 x 2½" type-304 stainless steel, Phillips round-head, sheet-metal screws.

- Grab Bar Fastener** — Bobrick offers a grab bar fastening system that secures all Bobrick grab bar series; **one Bobrick fastener is required for each flange.** Install grab bar without backing in wall requires minimum 5/8" (16mm) thick painted or tiled drywall.

WingIt™ Fastener No.	Description
251-4	Consists of 10–32 x 5/16" round-head, Phillips 18/8 stainless steel screws. (1) WingIt grab bar fastener.

- Optional Anchor Device** — Bobrick grab bar anchor device includes stainless steel machine screws to be used for attaching grab bars to anchors. **one Bobrick concealed anchor device is required for each flange.**

Optional Anchor No.	Description
2583	Anchor for 3/4" to 1" (19-25mm) panel 1 anchor required for each flange.
2586	Anchor for 1/2" to 1" (13mm) panel 1 anchor required for each flange.

**SPECIFICATION:**

Grab bar shall be type-304 stainless steel with satin-finish, slip-resistant surface. Grab bar shall have 18-gauge (1.2mm) wall thickness and 1-1/2" (38mm) outside diameter. Clearance between the grab bar and wall shall be 1-1/2" (38mm). Concealed mounting flanges shall be 11-gauge (3.2mm) thick stainless steel plate, 2" x 3-1/8" (50 x 80mm), and equipped with at least two screw holes for attachment to wall. Flange covers shall be 22 gauge (0.8mm), 3-1/4" (85mm) diameter x 1/2" (13mm) deep, and shall snap over mounting flange to conceal mounting screws and/or WingIt fasteners. Ends of grab bar shall pass through concealed mounting flanges and be heliarc welded to form one structural unit. Grab bar shall comply with accessible design (including ADAAG in the U.S.A.) for structural strength.

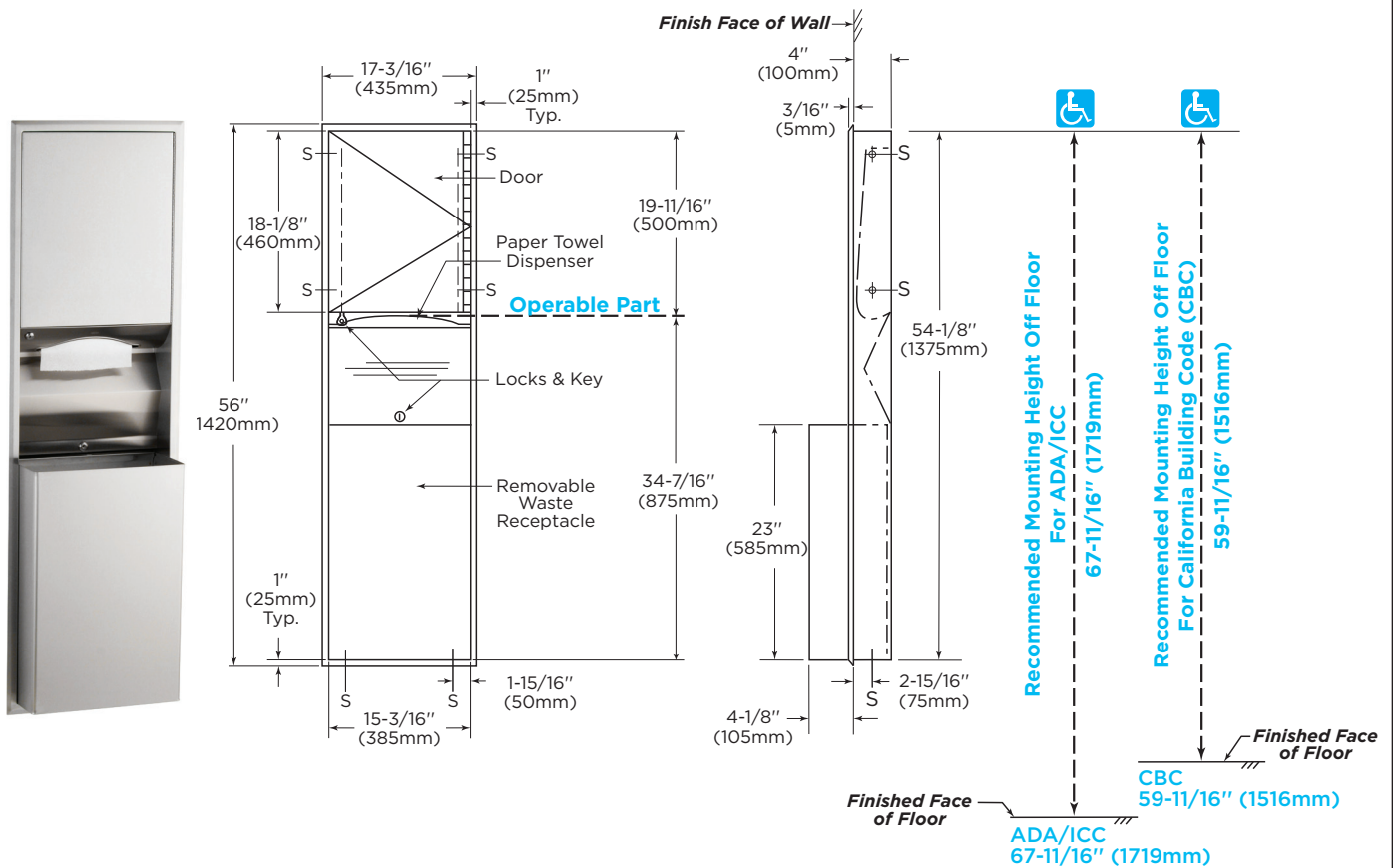
Grab Bar shall be Model \_\_\_\_\_ (insert model number) of Bobrick Washroom Equipment, Inc., Clifton Park, New York; Jackson, Tennessee; Los Angeles, California; Bobrick Washroom Equipment Company, Scarborough, Ontario; Bobrick Washroom Equipment Pty. Ltd., Australia; and Bobrick Washroom Equipment Limited, United Kingdom.

BOBRICK

## Technical Data

# ClassicSeries® RECESSED CONVERTIBLE PAPER TOWEL DISPENSER AND WASTE RECEPTACLE

B-3944

**Rough Wall Opening**

16" (405mm) wide  
54-3/4" (1390mm) high  
4" (100mm) minimum recessed depth

**ADA/CBC Installation Guidance**

**\*Operable Part:** Top of paper towel dispenser opening

**Maximum mounting height of Operable Part:**

ADA/ICC: 48" above finished floor (AFF)

CBC: 40" above finished floor (AFF)

\*For more information regarding operable parts, please refer to Bobrick Planning Guide for Accessible Restrooms, page 9.

**MATERIALS:**

**Cabinet** — 18-8, Type-304, heavy-gauge stainless steel. Welded construction. Exposed surfaces have satin-finish.

**Flange** — 18-8, Type-304, 22-gauge (0.8mm) stainless steel with satin-finish. Drawn and beveled, one-piece, seamless construction.

**Door** — 18-8, Type-304, 22-gauge (0.8mm) stainless steel with satin-finish. Double-pan-back construction. Secured to cabinet with a full-length stainless steel piano-hinge. Equipped with a semi-concealed tumbler lock keyed like other Bobrick washroom accessories.

**Paper Towel Dispenser** — 18-8, Type-304, 22-gauge (0.8mm) stainless steel with satin-finish. Rounded towel tray has hemmed opening to dispense paper towels without tearing. Capacity: 600 C-fold or 800 multifold paper towels.

continued . . .

**Waste Receptacle** — 18-8 S, Type-304, 22-gauge (0.8mm) stainless steel with satin-finish. Front and sides of bottom and all top edges are hemmed for safe handling. Secured to cabinet with a tumbler lock keyed like other Bobrick washroom accessories. Capacity: 12-gal. (45.5-L).

**Accessory:** To accommodate disposable trash liners, order Bobrick Model No. 3944-134 LinerMate®, sold as an optional accessory item. LinerMate eliminates unsightly trash liner overhang and facilitates installation and removal of disposable trash liners in the 12-gallon waste receptacle.

**NOTE:** To accommodate disposable trash liners, order LinerMate®, sold as an optional accessory item. LinerMate eliminates unsightly trash liner overhang and facilitates installation and removal of disposable trash liners in the 12-gallon waste receptacle.

TowelMate® available as an optional accessory allows paper towels to dispense one at time without bulging or sagging, or falling through the towel tray opening. The 90 degree return on the towel guide prevents papers from falling forward and out when door is opened for servicing. TowelMate fits Gamco and most other manufacturers' similar models.

#### **OPERATION:**

Paper towel dispenser accommodates C-fold or multifold paper towels without adjustment or use of adapters. To adapt to changing needs of washrooms, this unit is field convertible with the Universal, Touch-Free Roll Towel Dispenser or Universal, Automatic Roll Towel Dispenser. To order convertible modules, reference part numbers below under Options.

To empty waste receptacle, unlock with key provided.

#### *Options:*

- Universal Touch-Free Roll Towel Dispenser Module convertible in field: order Bobrick Part No. 3961-50.
- Automatic, Universal Roll Towel Dispenser Module convertible in field: order Bobrick Part No. 3974-350.
- 18-gallon Waste Receptacle: order Bobrick Part No. 368-60, with reusable vinyl liner Part No. 368-16.
- Reusable Vinyl Liner: order Bobrick Part No. 368-16.
- LinerMate for 12-gal waste only: order Bobrick Part No. 3944-134.
- TowelMate accessory: order Bobrick Part No. 3944-130.

#### **INSTALLATION:**

Provide framed rough wall opening 16" wide x 54-3/4" high (405 x 1390mm). Minimum recessed depth required to finish face of wall is 4" (100mm). Allow clearance for construction features that may protrude into rough wall opening from opposite wall. Coordinate with mechanical engineer to avoid pipes, vents, and conduits. If unit projects above top of wainscot, provide aluminum channel or other filler to eliminate gap between flange and finish face of wall. Mount unit in wall opening with shims between framing and cabinet at all points indicated by an S, then secure unit with #8 x 1-1/4" (4.2 x 32mm) sheet-metal screws (not furnished).

#### **SPECIFICATION:**

Recessed convertible paper towel dispenser and waste receptacle shall be Type-304 stainless steel with welded construction; exposed surfaces shall have satin finish. Flange shall be drawn and beveled, one-piece, seamless construction. Door shall be secured to cabinet with a full-length stainless steel piano-hinge and equipped with a semi-concealed tumbler lock keyed like other Bobrick washroom accessories. Paper towel dispenser shall dispense 600 C-fold or 800 multifold paper towels. Removable waste receptacle shall be secured to cabinet with a tumbler lock, have front and side edges of bottom and all top edges hemmed for safe handling, and shall have a minimum capacity of 12-gal. (45.5-L).

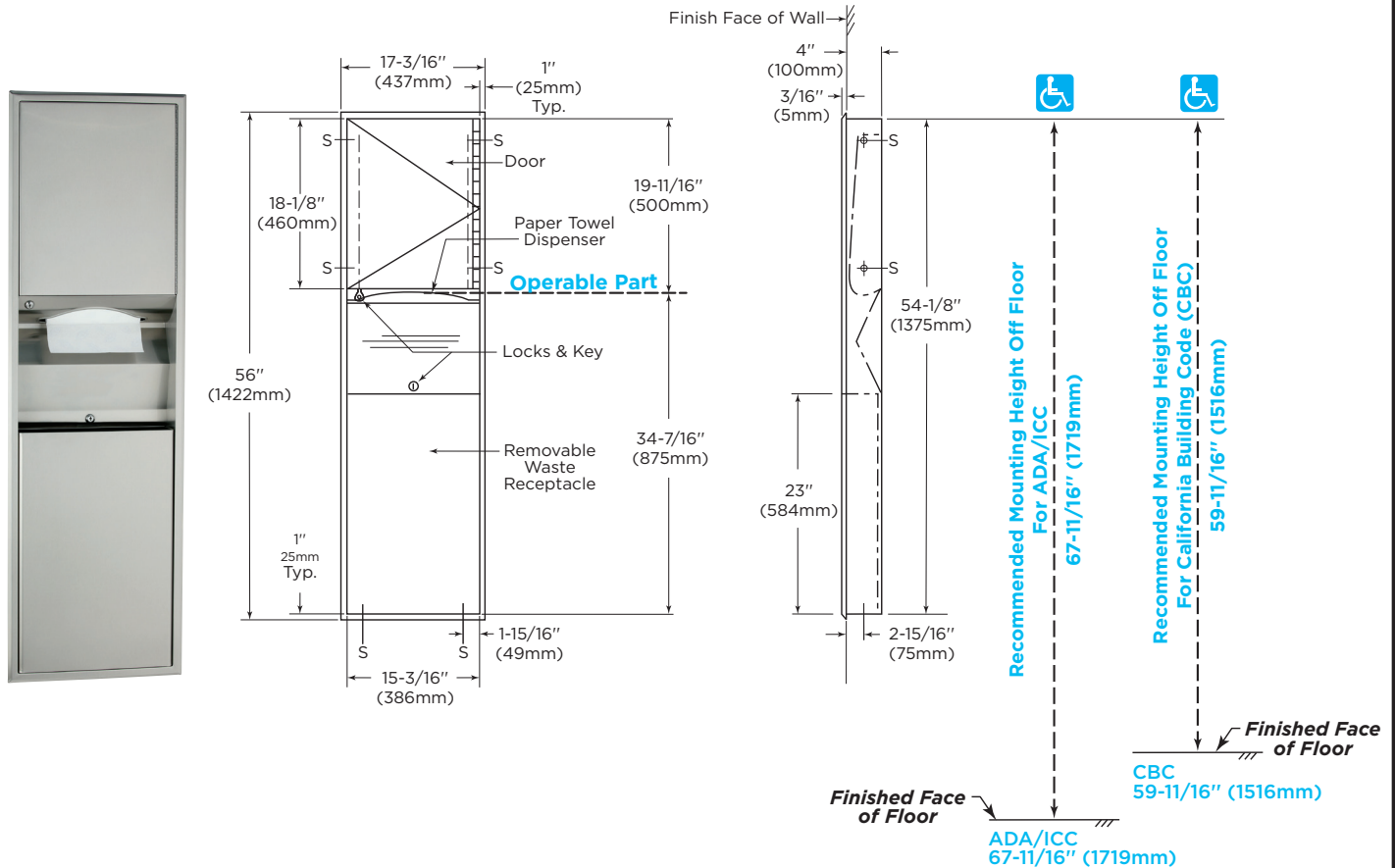
**Recessed Convertible Paper Towel Dispenser And Waste Receptacle shall be Model B-3944 of Bobrick Washroom Equipment, Inc., Clifton Park, New York; Jackson, Tennessee; Los Angeles, California; Bobrick Washroom Equipment Company, Scarborough, Ontario; Bobrick Washroom Equipment Pty. Ltd., Australia; and Bobrick Washroom Equipment Limited, United Kingdom.**

BOBRICK

## Technical Data

# ClassicSeries® RECESSED CONVERTIBLE PAPER TOWEL DISPENSER AND WASTE RECEPTACLE

B-3940

**Rough Wall Opening**

16" (405mm) wide  
54-3/4" (1390mm) high  
4" (102mm) minimum  
recessed depth

**ADA/CBC Installation Guidance**

\***Operable Part:** Top of paper towel dispenser opening

**Maximum mounting height of Operable Part:**

ADA/ICC: 48" above finished floor (AFF)  
CBC: 40" above finished floor (AFF)

\*For more information regarding operable parts, please refer to Bobrick Planning Guide for Accessible Restrooms, page 9.

**MATERIALS:**

**Cabinet** — 18-8, Type-304, heavy-gauge stainless steel. Welded construction. Exposed surfaces have satin-finish.

**Flange** — 18-8, Type-304, 22-gauge (0.8mm) stainless steel with satin-finish. Drawn and beveled, one-piece, seamless construction.

**Door** — 18-8, Type-304, 22-gauge (0.8mm) stainless steel with satin-finish. Double-pan-back construction. Secured to cabinet with a full-length stainless steel piano-hinge. Equipped with a semi-concealed tumbler lock keyed like other Bobrick washroom accessories.

**Paper Towel Dispenser** — 18-8, Type-304, 22-gauge (0.8mm) stainless steel with satin-finish. Rounded towel tray has hemmed opening to dispense paper towels without tearing. Capacity: 600 C-fold or 800 multifold paper towels.

continued . . .

**Waste Receptacle** — 18-8, Type-304, 22-gauge (0.8mm) stainless steel with satin-finish. Front and sides of bottom and all top edges are hemmed for safe handling. Secured to cabinet with a tumbler lock keyed like other Bobrick washroom accessories. Capacity: 6 gal (22.7-L).

**OPERATION:**

Paper towel dispenser accommodates C-fold or multifold paper towels without adjustment or use of adapters. To adapt to changing needs of washrooms, this unit is field convertible with the Universal, Touch-Free Roll Towel Dispenser or Universal, Automatic Roll Towel Dispenser. To order convertible modules, reference part numbers below under Options.

To empty waste receptacle, unlock with key provided.

**NOTE:** TowelMate® available as an optional accessory allows paper towels to dispense one at time without bulging or sagging, or falling through the towel tray opening. The 90 degree return on the towel guide prevents papers from falling forward and out when door is opened for servicing. TowelMate fits Gamco and most other manufacturers' similar models.

*Options:*

- Universal Touch-Free Roll Towel Dispenser Module convertible in field: order Bobrick Part No. 3961-50.
- Automatic, Universal Roll Towel Dispenser Module convertible in field: order Bobrick Part No. 3974-350.
- 12 gal waste receptacle: order Bobrick Part No. 367-60
- LinerMate for 12-gal waste only: order Bobrick Part No. 3944-134.
- 18-gallon Waste Receptacle: order Bobrick Part No. 368-60, with reusable vinyl liner Part No. 368-16.
- TowelMate accessory: order Bobrick Part No. 3944-130.

**INSTALLATION:**

Provide framed rough wall opening 16" wide x 54-3/4" high (406 x 1390mm). Minimum recessed depth required to finish face of wall is 4" (102mm). Allow clearance for construction features that may protrude into rough wall opening from opposite wall. Coordinate with mechanical engineer to avoid pipes, vents, and conduits. If unit projects above top of wainscot, provide aluminum channel or other filler to eliminate gap between flange and finish face of wall. Mount unit in wall opening with shims between framing and cabinet at all points indicated by an S, then secure unit with #8 x 1-1/4" (4.2 x 32mm) sheet-metal screws (not furnished).

**SPECIFICATION:**

Recessed convertible paper towel dispenser and waste receptacle shall be Type-304 stainless steel with welded construction; exposed surfaces shall have satin finish. Flange shall be drawn and beveled, one-piece, seamless construction. Door shall be secured to cabinet with a full-length stainless steel piano-hinge and equipped with a semi-concealed tumbler lock keyed like other Bobrick washroom accessories. Paper towel dispenser shall dispense 600 C-fold or 800 multifold paper towels. Removable waste receptacle shall be secured to cabinet with a tumbler lock, have front and side edges of bottom and all top edges hemmed for safe handling, and shall have a minimum capacity of 6 gal (22.7-L).

**Recessed Convertible Paper Towel Dispenser And Waste Receptacle shall be Model B-3940 of Bobrick Washroom Equipment, Inc., Clifton Park, New York; Jackson, Tennessee; Los Angeles, California; Bobrick Washroom Equipment Company, Scarborough, Ontario; Bobrick Washroom Equipment Pty. Ltd., Australia; and Bobrick Washroom Equipment Limited, United Kingdom.**





# MIRROR WITH STAINLESS STEEL CHANNEL FRAME

**B-1656**  
**B-1658**  
**B-1659**

**SPECIAL-ORDER REFLECTIVE SURFACES Specify Series Required:**

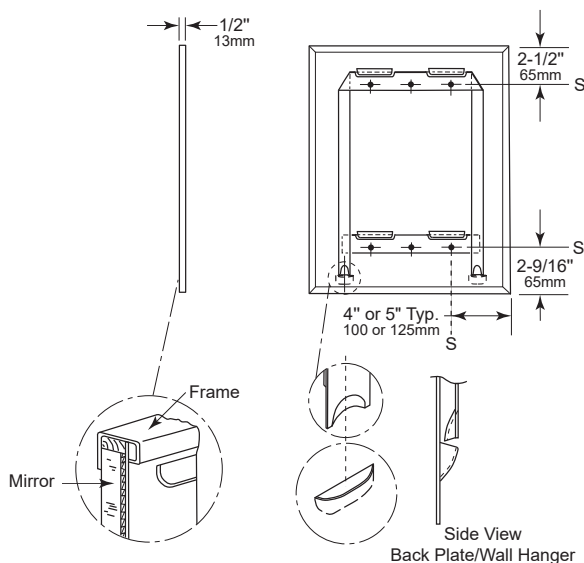


**Designer's Notes:**

1. Special-order only.
2. All Bobrick framed mirrors are manufactured to overall width and height dimensions. EXAMPLE: A 24" x 36" (61 x 91cm) mirror will be furnished 24" x 36" (61 x 91cm) outside-of-frame to outside-of-frame.
3. To specify sizes use Series Number followed by width then height in inches. EXAMPLE: B-1656 2024.
4. Bobrick framed mirrors are manufactured to a tolerance  $\pm 1/8"$  (3.2mm).
5. For sufficient space to lift mirror onto wall hanger, provide 2-7/8" (75mm) minimum clearance above center line of mounting screw holes.
6. Provide 1" (25mm) minimum clearance at bottom of mirror for engaging locking screws and 1" (25mm) clearance on each side.

**SNAP LOCKING DESIGN (Rear View)**

Figure: 1

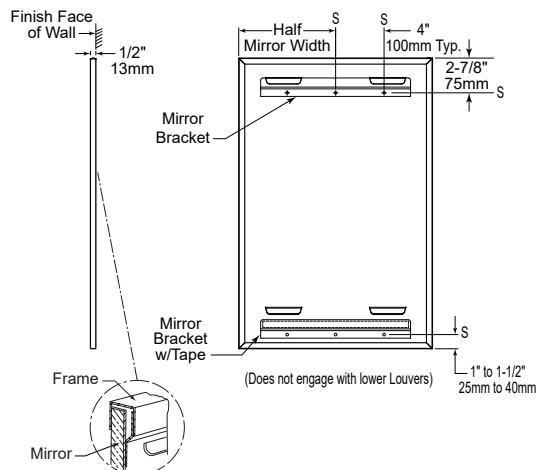


- ❑ B-1658 Series Tempered Glass Mirror Standard Sizes —  
 B-1658 1830 18" x 30" (46 x 76cm)  
 B-1658 2436 24" x 36" (61 x 91cm)

**"2S" Tab Design (Rear View)**

- for all other mirrors up to a width of 36"

Figure: 2



- ❑ B-1656 Series Polished Stainless Steel Mirror —  
 12" x 12" (30 x 30cm) minimum.  
 36" x 60" (91 x 152cm) maximum.
- ❑ B-1658 Series Tempered Glass Mirror —  
 18" x 30" (46 x 76cm) or  
 30" x 18" (76 x 46cm) minimum
- ❑ B-1659 Series Laminated Glass Mirror —  
 16" x 12" (41 x 30cm) or  
 12" x 16" (30 x 41cm) minimum

**Note:** Mirrors greater than 36" in width will have multiple hanger brackets with a typical 8" off each edge.

**Maximum measurements per Mirror-Series:**

MODEL NUMBERS	OVERALL SIZE	
	W	H
<b>B-1656 Series - Polished stainless steel</b>	60" (152cm)	36" (91cm)
<b>B-1658 Series - Tempered Glass Mirror</b>	96" (244cm)	48" (122cm)
	48" (122cm)	96" (244cm)
<b>B-1659 Series - Laminated Glass Mirror</b>	84" (213cm)	48" (122cm)
	48" (122cm)	84" (213cm)

continued . . .

## MATERIALS:

**Frame** — Type-430 stainless steel, 1/2" x 1/2" x 3/8" (13 x 13 x 9.5mm) channel with bright polished finish for snap locking design; 1/2" x 1/2" x 1/2" (13 x 13 x 13mm) channel for "2S" Tab Design. One-piece frame with 90° mitered corners. Galvanized back has integral horizontal hanging brackets near the top for hanging the mirror and near the bottom to prevent the bottom of the mirror from pulling away from the wall. Double-sided tape secures mirror to concealed wall hanger.

**Mirror** — (B-1656 Series) Stretcher leveled stainless steel with reflective, highly polished strip finish. Tempered masonite backing (B-1658 Series) No. 1 quality, 1/4" (6mm) tempered select float glass: selected for silvering and electrolytically copper-plated by the galvanic process.

(B-1659 Series) 1/4" (6mm) thick. Two pieces of 1/8" (3mm) select float glass, selected for silvering and laminated with 0.015" (0.381mm) thick clear vinyl in the center, and electrolytically copper-plated by the galvanic process.

**Note:** These reflective surfaces resist breakage and provide a measure of safety from broken glass, but differ in color and reflective quality from standard glass mirrors.

Backs of all glass mirrors are protected by full-size, shock-absorbing, water-resistant, nonabrasive, polyethylene padding.

**Concealed Wall Hanger(s)** — For snap locking design: Heavy gauge steel construction. Incorporates upper and lower members, which engage backplate louvers to keep mirror against the wall. For "2S"-Tab design: Incorporates upper bracket engaging in upper louver and double sided tape below the bottom louver securing mirror to concealed wall hanger.

## INSTALLATION:

Mount wall hanger on wall with screws (not furnished) at points indicated by an *S*. For plaster or dry wall construction, provide concealed backing to comply with local building codes, then secure wall hanger with screws (not furnished). For other wall surfaces, provide fiber plugs or expansion shields for use with screws (not furnished), or provide 1/8" (3mm) toggle bolts or expansion bolts.

**Snap Locking Design:** Hang mirror on wall hanger. Lock mirror to wall hanger by tightening Phillips-head locking screws that are concealed in bottom of frame at points indicated by a *T*.

**"2S" Tab Design:** Comprises of two brackets, while the bottom one is furnished with double side tape. Bottom hanger bracket's mounting holes must be 1" - 1 1/2" above mirror's bottom edge. Note: Bottom hanger bracket is not supposed to engage with louvers of mirror's backplate. Hang mirror on wall top hanger bracket with the top two louvers engaged behind top wall hanger bracket. To do this, mirror must be centered in front of the wall hanger horizontally, pressed only at the top against the wall approx. 1" (25mm) above final position and then lowered into final position. When lowering, pull mirror's bottom edge off the wall by preventing bottom bracket from engaging. Once lowered, mirror must be pressed against wall to engage with double sided tape of lower wall hanger bracket.

**Snap Locking Design** — Locking devices automatically secure mirror to concealed wall hanger when it is lowered into final position (see figure 3). Locking devices may be unlocked by inserting two flat blade screwdrivers behind each side of mirror near the bottom or under the bottom of the mirror and pulling mirror bottom forward and then up.

**"2S" Tab Design** — Double-sided tape secures mirror to concealed wall hanger by pressing mirror against double sided tape of lower hanger once it is lowered into final position (see figure 4).

### SNAP LOCKING DESIGN

(Front View)

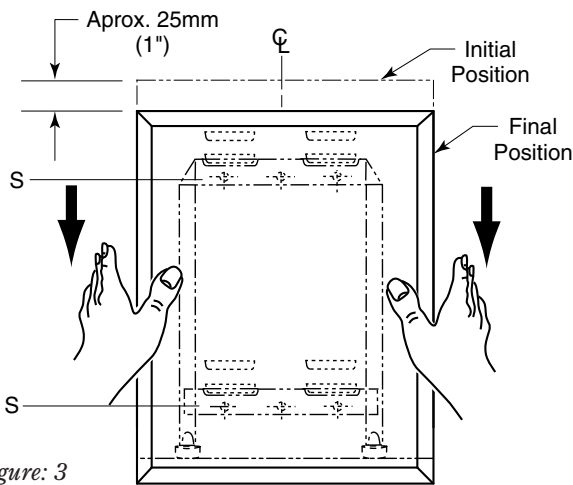


Figure: 3

### "2S" TAB DESIGN - UP TO 36" WIDTH

(Front View)

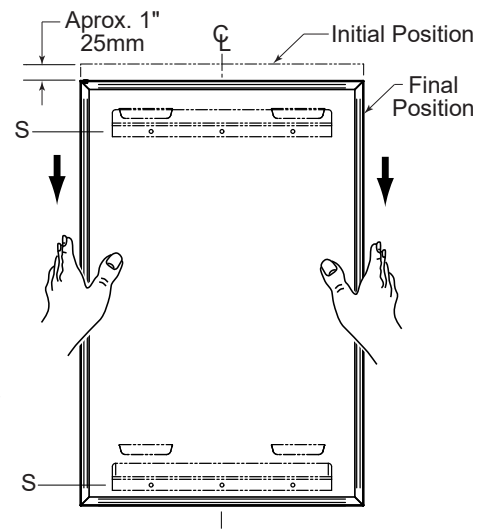


Figure: 4

## SPECIFICATION:

Mirror shall have a one-piece Type-430 stainless steel channel frame, with 90° mitered corners; all exposed surfaces shall have bright polished finish. Mirror shall be \_\_\_\_\_ (insert one: polished stainless steel, tempered glass, or laminated glass). Backs of all glass mirrors shall be protected by full-size, shock-absorbing, water-resistant, nonabrasive, thick polyethylene padding. Galvanized steel back shall have integral horizontal hanging brackets located near top for mounting on concealed wall hanger.

**Framed Mirror shall be Model \_\_\_\_\_ (insert model number) of Bobrick Washroom Equipment, Inc., Clifton Park, New York; Jackson, Tennessee; Los Angeles, California; Bobrick Washroom Equipment Company, Scarborough, Ontario; Bobrick Washroom Equipment Pty. Ltd., Australia; and Bobrick Washroom Equipment Limited, United Kingdom.**



Products > Paper Dispensers > Wausau Paper® Silhouette® Toilet Seat Cover Dispenser



# Wausau Paper® Silhouette® Toilet Seat Cover Dispenser

Two-pack capacity allows it to go longer between refills saving costlv

 Updates

 Contact

appearance with other Silhouette® dispensers. Refills are quick, convenient and easy.

- Description : Holds 250 Seat Covers
- Size (HxWxD): 16-1/8" x 11-7/8" x 3-1/8"
- Color: Black Translucent
- Quantity: 1/EA

Speak to a Daycon representative today for pricing and ordering information.

[Get Info](#) | [Place Order](#)

SKU: 19510

Categories: Paper Dispensers, Seat Cover

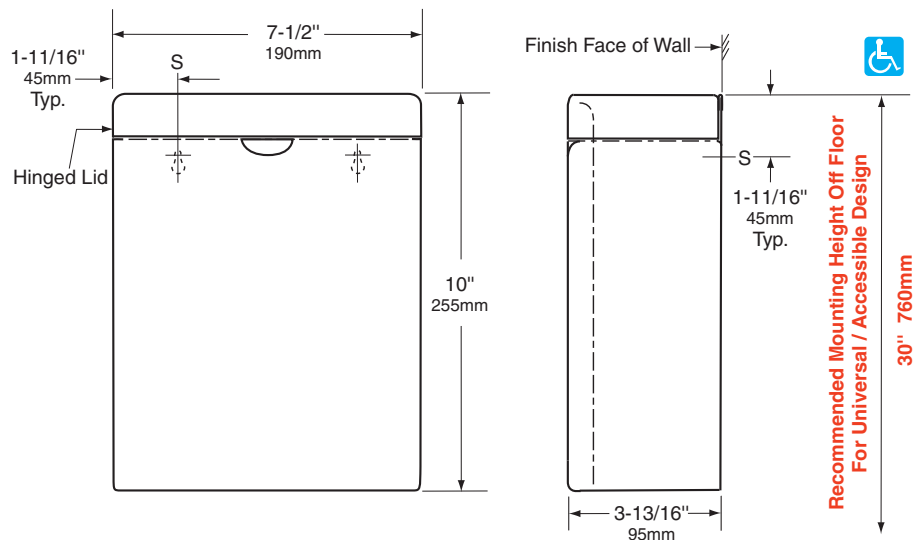
## Join our mailing list.

Receive access to helpful resources and ensure you're operating successfully long-term.

Enter your email...

 Updates

 Contact

**BOBRICK****Technical Data****ConturaSeries®  
SURFACE-MOUNTED  
SANITARY NAPKIN DISPOSAL****B-270****MATERIALS:**

**Container** — 18-8, type-304, 22-gauge (0.8mm) stainless steel. All-welded construction. Exposed surfaces have satin finish. Integral finger depression for opening cover. Front of container has same degree of arc as front of cover and other Bobrick ConturaSeries washroom accessories. Radius on side edges of container match corners and edges of cover and other ConturaSeries accessories.

**Cover** — 18-8, type-304, 22-gauge (0.8mm) stainless steel with satin finish. Drawn, one-piece, seamless construction. Front of cover has same degree of arc as front of container and other Bobrick Contura Series washroom accessories. Radius on corners and edges of cover match side edges of container and other Contura Series accessories. Secured to container with a full-length stainless steel piano-hinge.

**OPERATION:**

Cover flips up for disposal of sanitary napkins and for servicing container.

**INSTALLATION:**

For partitions with particle-board or other solid core, secure with two #8 x 3/4" (4.2 x 19mm) sheet-metal screws (not furnished) at all points indicated by an S, or provide through-bolts, nuts, and washers.

For hollow-core metal partitions, provide solid backing into which sheet-metal screws can be secured. If two units are installed back-to-back, then provide threaded sleeves and machine screws for the full thickness of partition.

For masonry walls, provide fiber plugs or expansion shields for use with sheet-metal screws, or provide 3/16" (5mm) toggle bolts or expansion bolts.

For plaster or dry wall construction, provide concealed backing to comply with local building codes, then secure unit with sheet-metal screws.

**SPECIFICATION:**

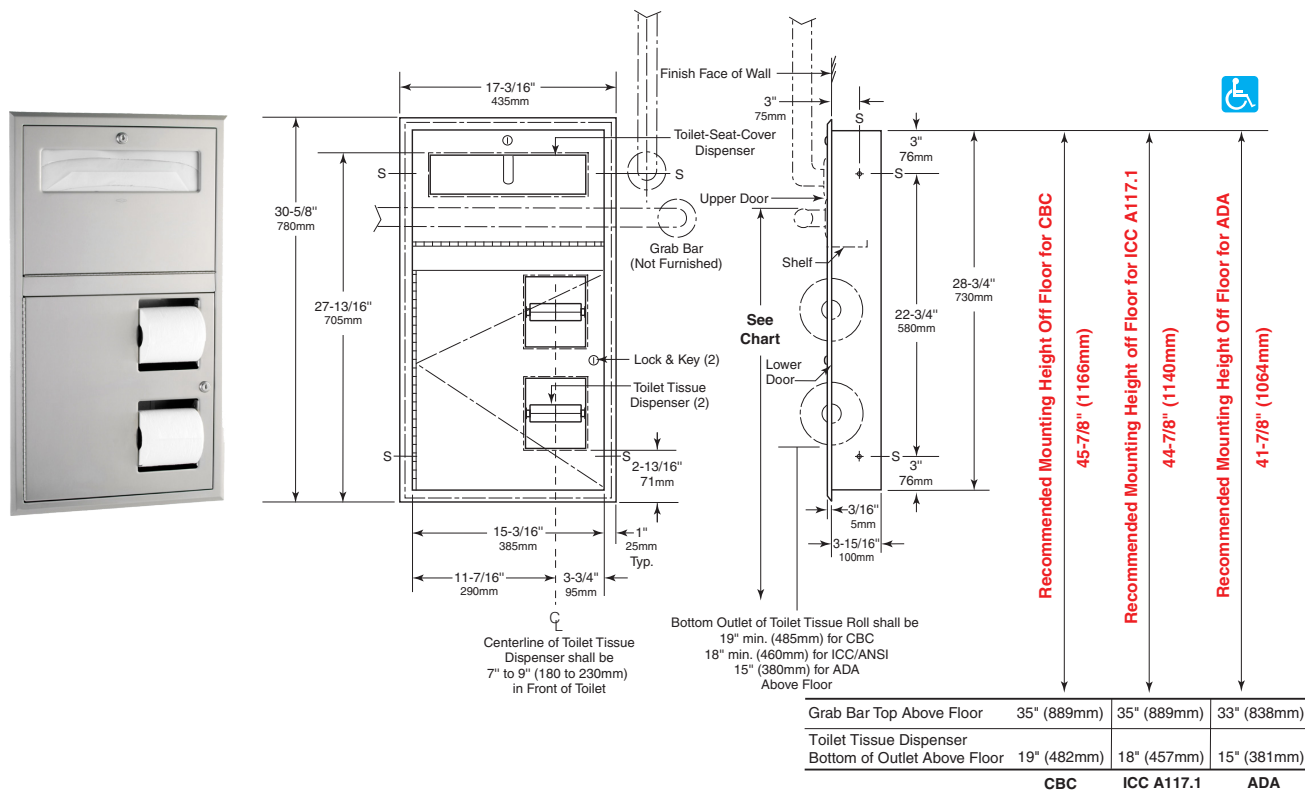
Surface-mounted sanitary napkin disposal shall be type-304 stainless steel with all-welded construction; exposed surfaces shall have satin finish. Front of sanitary napkin disposal shall have same degree of arc and match other Bobrick ConturaSeries accessories in the washroom. Radius on corners and edges of sanitary napkin disposal shall complement other Bobrick ConturaSeries washroom accessories. Cover shall be drawn, one-piece, seamless construction and secured to container with a full-length stainless steel piano-hinge. Container shall have integral finger depression for opening cover.

**Surface-Mounted Sanitary Napkin Disposal shall be Model B-270 of Bobrick Washroom Equipment, Inc., Clifton Park, New York; Jackson, Tennessee; Los Angeles, California; Bobrick Washroom Equipment Company, Scarborough, Ontario; Bobrick Washroom Equipment Pty. Ltd., Australia; and Bobrick Washroom Equipment Limited, United Kingdom.**



# ClassicSeries® RECESSED TOILET SEAT-COVER AND TOILET TISSUE DISPENSER

# B-3474



**Note:** For accessible toilet compartments, please use horizontal recessed or surface-mounted combination dispenser-/disposal-units, B-3091 or B-3092 Series, to comply with ADA 1-1/2" absolute Grab Bar wall spacing.

**Rough Wall Opening**  
16" (405mm) wide  
29-1/4" (745mm) high  
4" (102mm) minimum recessed depth  
See Designer's Notes under Installation for  
Rough Wall Opening Location Information

## MATERIALS:

**Cabinet** — 18-8, Type-304, heavy-gauge stainless steel. All-welded construction. Exposed surfaces have satin finish.

**Flange** — 18-8, Type-304, 22-gauge (0.8mm) stainless steel with satin finish. Drawn and beveled, one-piece, seamless construction.

**Doors (2)** — 18-8, Type-304, 18-gauge (1.2mm) stainless steel with satin finish. One-piece, seamless construction. Secured to cabinet with a full-length stainless steel piano-hinge. Equipped with a tumbler lock keyed like other Bobrick washroom accessories.

**Toilet Tissue Dispensers (2)** — .100" (2.5mm) thick ABS. Equipped with two theft-resistant, heavy-duty, one-piece, molded ABS spindles.

## OPERATION:

Doors unlock with key provided and swing open for filling. Toilet seat-cover dispenser holds 500 single- or half-fold paper covers. Spindles may be removed from cabinet when door is open. Unit holds two standard-core toilet tissue rolls up to 5-1/4" (135mm) diameter (1800 sheets).

*Designer's Note:* It is recommended that one full toilet tissue roll remain wrapped until the other roll has been depleted to avoid wasting ends of both rolls.

continued . . .

## **INSTALLATION:**

Provide framed rough wall opening 16" wide x 29-1/4" high (405 x 745mm). Minimum recessed depth required from finish face of wall is 4" (102mm). Top of wall opening should be 42-3/8" (1075mm) and installation of 18" vertical grab bar (ICC A117.1-2009) from finish face of floor to allow placement of horizontal grab bar at 33" (840mm) height across front of unit. Allow clearance for construction features that may protrude into rough wall opening from opposite wall. Coordinate with mechanical engineer to avoid pipes, vents, and conduits in wall. If unit projects above top of wainscot, provide aluminum channel or other filler to eliminate gap between flange and finish face of wall. Mount unit in wall opening with shims between framing and cabinet at all points indicated by an S, then secure unit with #8 x 1-1/4" (4.2 x 32mm) sheet-metal screws (not furnished).

### ***Designer's Notes:***

1. Recessed B-3474 mounts flush against side wall in accessible toilet compartment and has toilet tissue dispenser on right side of unit.
2. Position unit on panel with centerline of toilet tissue dispenser 7" - 9" (180 - 230mm) in front of leading edge of toilet.
3. For unit to mount on right side of toilet (when seated on toilet) see model B-34745.
4. For visual placement of models inside toilet compartment, refer to Technical Bulletin TB-92.

## **SPECIFICATION:**

Recessed toilet seat-cover and toilet tissue dispenser shall be Type-304 stainless steel with all-welded construction; exposed surfaces shall have satin finish. Toilet tissue dispenser shall be ABS plastic. Flange shall be drawn and beveled, one-piece, seamless construction. Unit shall mount flush against side wall in accessible toilet compartment to allow clearance for grab bar across front of unit and installation of 18" vertical grab bar (ICC A117.1-2009). Doors shall be one-piece, seamless construction; secured to cabinet with a full-length stainless steel piano-hinge; and equipped with a tumbler lock keyed like other Bobrick washroom accessories. Toilet seat-cover dispenser holds 500 paper covers. Unit shall be equipped with two theft-resistant, heavy-duty ABS toilet tissue spindles that hold standard-core rolls up to 5-1/4" (135mm) diameter (1800 sheets). Spindles shall be removable when door is open.

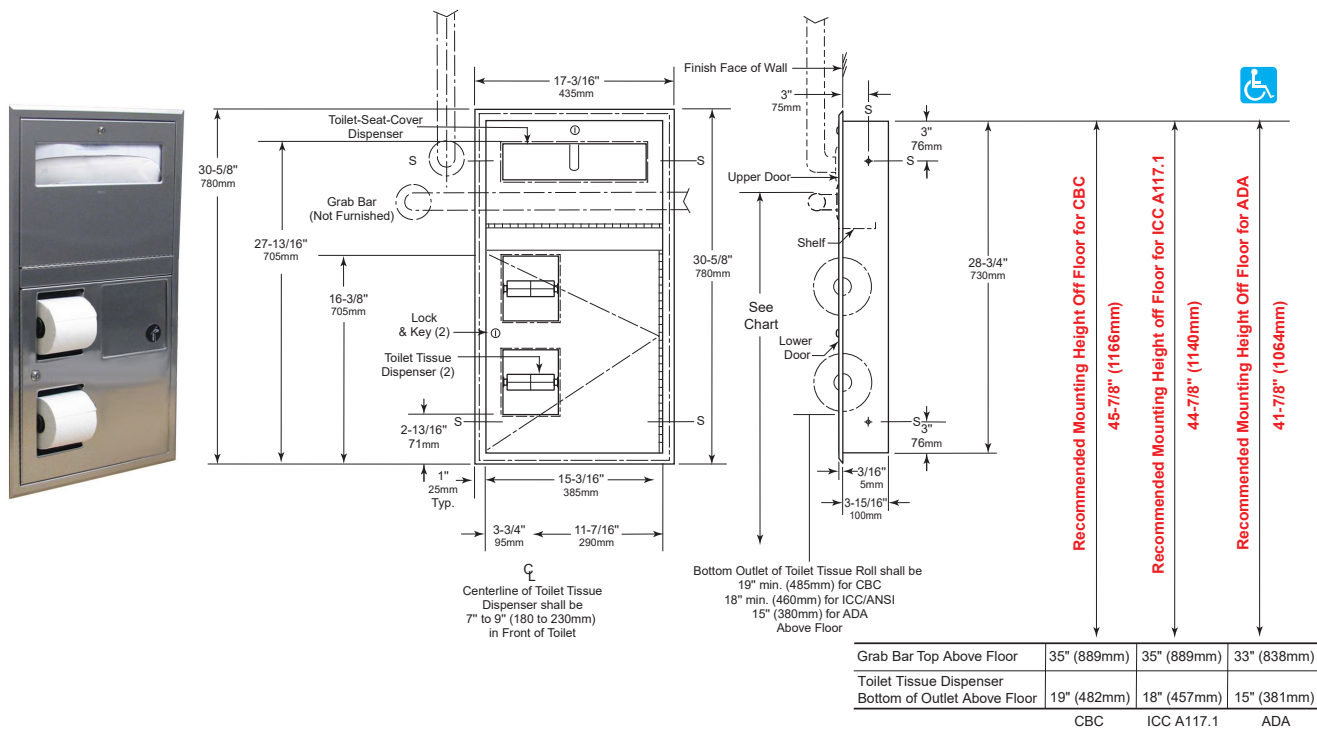
**Recessed Seat-Cover And Toilet Tissue Dispenser shall be Model B-3474 of Bobrick Washroom Equipment, Inc., Clifton Park, New York; Jackson, Tennessee; Los Angeles, California; Bobrick Washroom Equipment Company, Scarborough, Ontario; Bobrick Washroom Equipment Pty. Ltd., Australia; and Bobrick Washroom Equipment Limited, United Kingdom.**



**Technical Data**

**ClassicSeries®  
RECESSED  
SEAT-COVER DISPENSER,  
SANITARY NAPKIN DISPOSAL,  
AND TOILET TISSUE DISPENSER**

**B-35745**



**Note:** For accessible toilet compartments, please use horizontal recessed or surface-mounted combination dispenser-/disposal-units, B-3091 or B-3092 Series, to comply with ADA 1-1/2" absolute Grab Bar wall spacing.

**Rough Wall Opening**  
16" (405mm) wide  
29-1/4" (745mm) high  
4" (102mm) minimum recessed depth  
See Designer's Notes for Rough Wall Opening Location Information

**MATERIALS:**

**Cabinet** — 18-8, type-304, heavy-gauge stainless steel. All-welded construction. Exposed surfaces have satin finish.

**Flange** — 18-8, type-304, 22-gauge (0.8mm) stainless steel with satin finish. Drawn and beveled, one-piece, seamless construction.

**Doors (2)** — 18-8, type-304, 18-gauge (1.2mm) stainless steel with satin finish. One-piece, seamless construction. Secured to cabinet with a full-length stainless steel piano-hinge. Equipped with a tumbler lock keyed like other Bobrick washroom accessories.

**Toilet Tissue Dispensers (2)** — .100" (2.5mm) thick ABS. Equipped with two theft-resistant, heavy-duty, one-piece molded ABS spindles.

**Disposal Panel** — 18-8, type-304, 22-gauge (0.8mm) stainless steel with hemmed edges; exposed surface has satin finish. Secured to cabinet with a spring-loaded, full-length stainless steel piano-hinge. Equipped with an international graphic symbols identifying napkin disposal.

**Waste Receptacle** — Leak-proof molded polyethylene. Removable for servicing. Capacity: 0.8-gal. (3.0-L).

**OPERATION:**

Doors unlock with key provided and swing open for filling. Toilet seat-cover dispenser holds 500 single- or half-fold paper covers. Spindles may be removed from cabinet only when door is open. Receptacle is removable for servicing. Unit holds two standard-core toilet tissue rolls up to 5-1/4" (135mm) diameter (1800 sheets).

*Designer's Note:* It is recommended that one full toilet tissue roll remain wrapped until the other roll has been depleted to avoid wasting ends of both rolls.

continued . . .



## INSTALLATION:

Provide framed rough wall opening 16" wide x 29-1/4" high (405 x 745mm). Minimum recessed depth required from finish face of wall is 4" (102mm). Top of wall opening should be 42-3/8" (1075mm) from finish face of floor to allow placement of horizontal grab bar at 33" (840mm) height across front of unit and installation of 18" vertical grab bar (ICC A117.1-2009). Allow clearance for construction features that may protrude into rough wall opening from opposite wall. Coordinate with mechanical engineer to avoid pipes, vents, and conduits in wall. If unit projects above top of wainscot, provide aluminum channel or other filler to eliminate gap between flange and finish face of wall. Mount unit in wall opening with shims between framing and cabinet at all points indicated by an S, then secure unit with #8 x 1-1/4" (4.2 x 32mm) sheet-metal screws (not furnished).

### *Designer's Notes:*

1. Recessed B-35745 mounted flush against side wall in accessible toilet compartment has toilet tissue dispenser on left side of unit.
2. Position unit on wall with centerline of toilet tissue dispenser 7" - 9" (180 - 230mm) in front of leading edge of toilet.
3. For B-35745 on right side of toilet (when seated on toilet) rear edge of rough wall opening should be 24-5/8" (625mm) from rear wall to position toilet tissue dispensers centerline 7" to 9" (180 to 230mm) in front of leading edge of toilet. Cut-out locations based on toilet projecting 27-1/2" (700mm) from rear wall.
4. For unit to mount on left side of toilet (when seated on toilet) see model B-3574.
5. For visual placement of models inside toilet compartment, refer to Technical Bulletin TB-92.

## SPECIFICATION:

Recessed toilet seat-cover dispenser, sanitary napkin disposal, and toilet tissue dispenser shall be type-304 stainless steel with all-welded construction; exposed surfaces shall have satin finish. Toilet tissue dispensers shall be ABS plastic. Flange shall be drawn and beveled, one-piece, seamless construction. Unit shall mount flush against side wall in accessible toilet compartment to allow clearance for grab bar across front of unit and installation of 18" vertical grab bar for (ICC A117.1-2009). Doors shall be one-piece, seamless construction; secured to cabinet with a full-length stainless steel piano-hinge; and equipped with a tumbler lock keyed like other Bobrick washroom accessories. Toilet seat-cover dispenser holds 500 paper covers. Self-closing disposal panel shall be secured to door with a spring-loaded, full-length stainless steel piano-hinge, has hemmed edges and equipped with an international graphic symbol identifying napkin disposal. Sanitary napkin disposal shall be furnished with a removable, leak-proof, molded polyethylene receptacle with a capacity of 0.8-gal. (3.0-L). Unit shall be equipped with two theft-resistant, heavy-duty, one-piece molded ABS toilet tissue spindles that hold standard-core rolls up to 5-1/4" (135mm) diameter (1800 sheets). Spindles shall be removable from cabinet only when door is open.

**Recessed Seat-Cover Dispenser, Sanitary Napkin Disposal, And Toilet Tissue Dispenser shall be Model B-35745 of Bobrick Washroom Equipment, Inc., Clifton Park, New York; Jackson, Tennessee; Los Angeles, California; Bobrick Washroom Equipment Company, Scarborough, Ontario; Bobrick Washroom Equipment Pty. Ltd., Australia; and Bobrick Washroom Equipment Limited, United Kingdom.**



### IMPACT® 9325

**\*\*This is a special-order item and cannot be returned. Please allow for an extended delivery time.\*\***

Impact 9325 Foameeze Bulk Hand Soap Dispenser, 1000mL, Foam, White/Gray; 12/Case

Manufacturer: Impact Products, LLC.

Brand Name: Impact®

HMPN: IMP9325

MPN: 9325

UPC: 00729661108039

UOM: CS

Min. Order Qty: 1

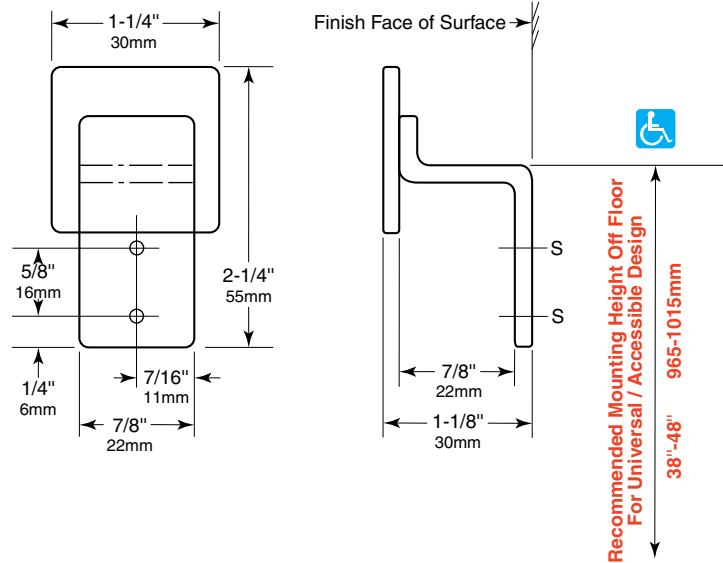
Qty. Interval: 1

### SPECIFICATIONS

Color	: White/Gray
Includes	: Refillable Bottle
Item	: Hand Soap Dispenser
Material	: ABS
Operation Mode	: Push
Refill Size	: 1000mL
Soap/Lotion Type	: Foam
Sub Brand	: Foameeze
Type	: Bulk

### FEATURES

- Sleek, smooth modern design complements any decor
- Made of durable ABS for extended lifetime
- Sight window indicates level of soap remaining
- ADA compliant pushbar
- Key lock for maximum security or optional universal access
- 1000mL refillable bottle reduces environmental waste, features vented large screw cap for easy refilling
- Each push dispenses 0.7mL of liquid in the form of foam soap
- Field tested foam pump mechanism lasts through several thousand cycles
- Refillable bottles marked foam soap to insure proper use and are recyclable
- Handles most foam soaps and bulk foam sanitizers from 0 - 14 cP
- Sustainable durable product, reduce the carbon footprint by their use

**BOBRICK****STAINLESS STEEL  
CLOTHES HOOK****B-233****Technical Data****MATERIALS:**

18-8, type-304, 11-gauge (3.2mm) stainless steel with satin finish. All-welded construction.

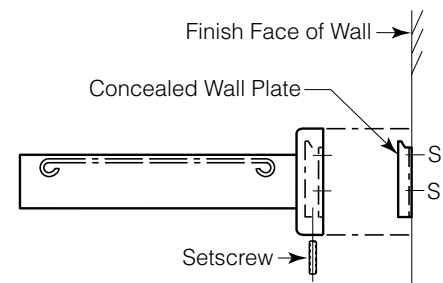
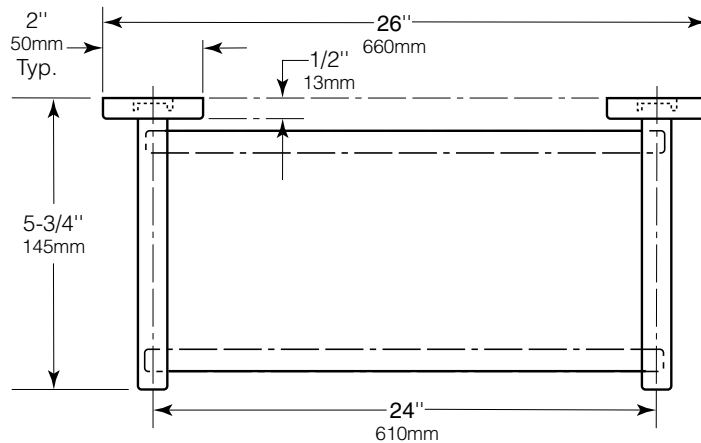
**INSTALLATION:**

Mount hook on wall using sheet-metal screws, furnished by manufacturer, at points indicated by an S. For plaster or dry wall construction, provide concealed backing to comply with local building codes, then secure unit with screws furnished. For other wall surfaces, provide fiber plugs or expansion shields for use with screws furnished, or provide 1/8" (3mm) toggle bolts or expansion bolts.

**SPECIFICATION:**

Clothes hook shall be type-304, 11-gauge (3.2mm) stainless steel with satin finish and all-welded construction.

**Stainless Steel Clothes Hook shall be Model B-233 of Bobrick Washroom Equipment, Inc., Clifton Park, New York; Jackson, Tennessee; Los Angeles, California; Bobrick Washroom Equipment Company, Scarborough, Ontario; Bobrick Washroom Equipment Pty. Ltd., Australia; and Bobrick Washroom Equipment Limited, United Kingdom.**

**BOBRICK****Technical Data****SURFACE-MOUNTED  
STAINLESS STEEL SHELF****B-683****MATERIALS:**

**Flanges and Support Arms (2)** — 18-8, type-304, 22-gauge (0.8mm) stainless steel. Each flange has a concealed, 16-gauge (1.6mm) stainless steel mounting bracket. All-welded construction. Secured to wall plates with stainless steel setscrews.

**Concealed Wall Plates (2)** — 18-8, type-304, 16-gauge (1.6mm) stainless steel.

**Shelf** — 18-8, type-304, 22-gauge (0.8mm) stainless steel with roll-formed edges.

**INSTALLATION:**

To remove concealed wall plates from back of flanges and mounting brackets, loosen setscrews. Mount each wall plate so prongs are at top; secure with sheet-metal screws, furnished by manufacturer, at points indicated by an S. Engage mounting brackets onto prongs of wall plates, then secure into position by tightening setscrews at bottom of flanges.

**Note:** Center-to-center of concealed wall plates must be within 1/16" (1.6mm) of the bar length dimension.

For plaster or dry wall construction, provide concealed backing to comply with local building codes, then secure unit with sheet-metal screws furnished. For other wall surfaces, provide fiber plugs or expansion shields for use with sheet-metal screws furnished, or provide 1/8" (3mm) toggle bolts or expansion bolts.

**SPECIFICATION:**

Surface-mounted shelf shall be type-304 stainless steel with bright polished finish. Flanges and support arms shall be 22 gauge (0.8mm) and equipped with concealed, 16-gauge (1.6mm) mounting brackets that are secured to concealed, 16-gauge (1.6mm) wall plates with stainless steel setscrews. Shelf shall be 22 gauge (0.8mm) with roll-formed edges.

**Surface-Mounted Stainless Steel Shelf shall be Model B-683 of Bobrick Washroom Equipment, Inc., Clifton Park, New York; Jackson, Tennessee; Los Angeles, California; Bobrick Washroom Equipment Company, Scarborough, Ontario; Bobrick Washroom Equipment Pty. Ltd., Australia; and Bobrick Washroom Equipment Limited, United Kingdom.**

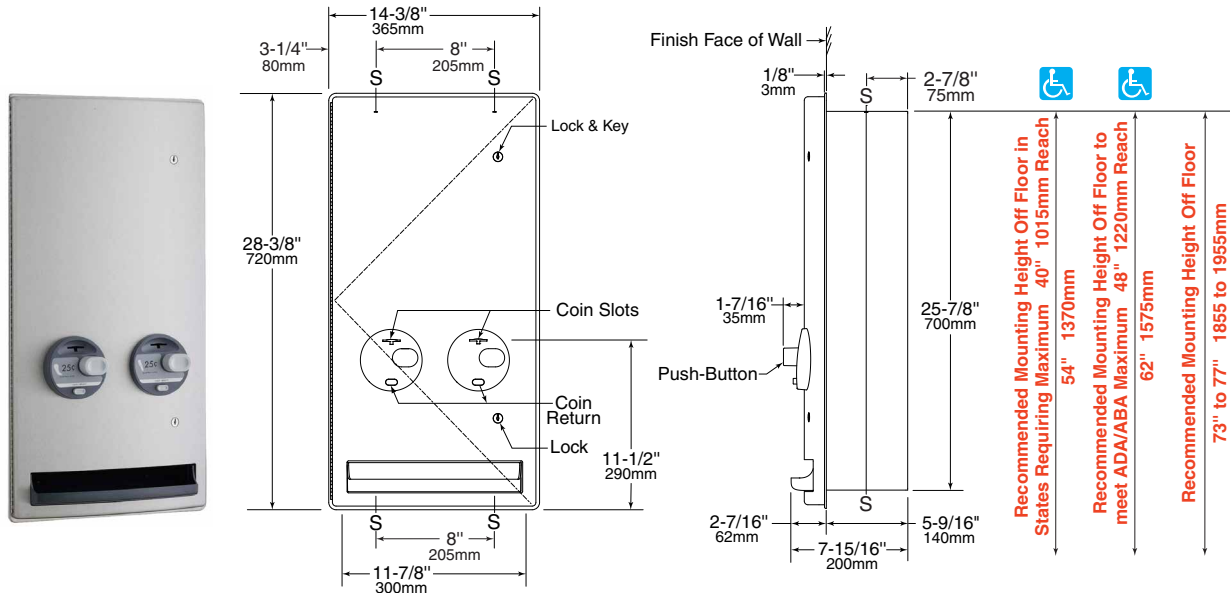
BOBRICK

## Technical Data

# ConturaSeries® RECESSED NAPKIN/TAMPON VENDOR

# B-4706 SERIES

Specify Model Required:  B-4706 25 Recessed 25¢ single-coin operation  
 B-4706C Recessed Free no-coin operation



**Rough Wall Opening**  
 12-1/2" (320mm) wide  
 26-3/8" (670mm) high  
 5-9/16" (140mm)  
 minimum recessed depth

## MATERIALS:

**Cabinet** — 18-8, Type-304, 18-gauge (1.2mm) stainless steel. All-welded construction.

**Flange** — 18-8, Type-304, 22-gauge (0.8mm) stainless steel with satin finish. Drawn, one-piece, seamless construction. Radius on corners and return edges complement corners and edges on door.

**Door** — 18-8, Type-304, 18-gauge (1.2mm) stainless steel with satin finish. Drawn, one-piece, seamless construction. Front of door has same degree of arc as other Bobrick Contura Series washroom accessories. Radius on corners and edges of door match other Contura Series accessories. Secured to cabinet with a full-length stainless steel piano-hinge. Equipped with a stainless steel cable door-swing limiter and two flush tumbler locks keyed like other Bobrick washroom accessories. Door has no brand-name advertising for products dispensed. Can be replaced in the field. Graphic symbols identify product dispensed and coin denomination.

**Coin Mechanisms (2)** — Impact-Resistant PC-ABS Push Buttons. Coin mechanisms can be converted in the field to any standard coin denomination (Free, 25¢ or 50¢) order Part No. 3706-250 for Free Vend Conversion Kit. Accepts one or two quarters (U. S. or Canadian) as designated by factory setting. Coin Box is equipped with tumbler lock that opens with different key than furnished for door locks..

**Coin Return Push-Button (2)** — Impact-Resistant PC-ABS Push-Button cancels selection and returns coin into product tray.

**Product Tray** — Impact-Resistant PC-ABS, provides convenient access to dispensed product.

continued . . .

**OPERATION:**

After coin is inserted in dispensing mechanism of patron's choice, pushing button dispenses boxed sanitary napkin or tampon tube. Mechanical operations; no batteries or electricity required. Coin slot of each dispensing mechanism is identified by a graphic symbol. Capacity: 20 sanitary napkins and 30 tampons. Coin slots are automatically blocked with a red indicator when supply is depleted. Coin Return Push-Button cancels the selection and returns coin into product tray. Wrong coins (penny, nickel, dime) by-pass mechanisms and drop into product tray. Vendor dispenses sanitary napkin packages measuring 2-7/8" x 3/4" x 4-1/8" to 3-1/8" x 1-1/8" x 4-3/8" (73 x 19 x 105mm to 80 x 29 x 111mm) and tampon tubes measuring 4-5/8" long x 9/16" diameter minimum to 5-1/8" long x 3/4" diameter maximum (118 x 14 to 130 x 19mm).

**INSTALLATION:**

Provide framed rough wall opening 12-1/2" wide x 26-3/8" high (320 x 670mm). Minimum recessed depth required to finish face of wall for fully recessing the unit is 5-9/16" (140mm). Allow clearance for construction features that may protrude into opening from opposite wall. Coordinate with mechanical engineer to avoid pipes, vents, and conduits. If unit projects above top of wainscot, provide aluminum channel or other filler to eliminate gap between flange and finish face of wall. Insert cabinet, then secure unit with four sheet-metal screws, (not furnished), at points indicated by a S.

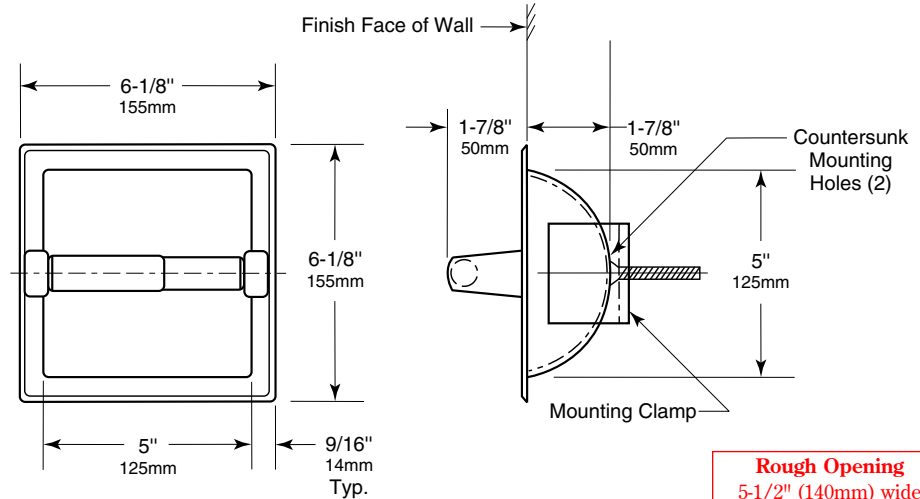
**SPECIFICATION:**

Recessed sanitary napkin/tampon vendor shall combine two dispensing mechanisms in one cabinet to provide sanitary napkins or tampons at user's option. Mechanical operations; no batteries or electricity required. Dispensing mechanisms shall be pre-set at factory for \_\_\_\_\_ (insert one: Free, 25¢ or 50¢) operation, but shall be convertible in the field to allow the change of coin denomination without removing unit from wall. Door shall be furnished with graphics indicating specified coin denomination. Unit shall be Type-304 stainless steel with all-welded construction; exposed surfaces shall have #4 satin finish. Front of door shall have same degree of arc and match other Bobrick ConturaSeries accessories in the washroom. Radius on corners and edges of flange and door shall complement other Bobrick ConturaSeries washroom accessories. Flange shall be drawn, one-piece, seamless construction. Door shall be drawn, 18-gauge (1.2mm), one-piece, seamless construction; secured to cabinet with a full-length stainless steel piano-hinge; and equipped with a stainless steel cable door-swing limiter and two flush tumbler locks keyed like other Bobrick washroom accessories. Vendor product selection and coin return pushbutton-operation shall be certified ADA-ABA, ICC/ANSI A117.1 complaint by third party (certification available on request) for operation with one hand with less than 5 pounds of force (22.2 N) without tight grasping, pinching or twisting of the wrist. Push-Button coin return shall cancel selection and return coin into product tray. Wrong coins (penny, nickel, dime) shall by-pass mechanisms and drop into product tray. Product tray shall be impact-resistant PC-ABS plastic and provide easy access to dispensed product. Coin Box shall be equipped with a tumbler lock that is keyed differently than door locks. Unit shall not carry brand-name advertising.

**Recessed Napkin/Tampon Vendor shall be Model \_\_\_\_\_ (insert model number) of Bobrick Washroom Equipment, Inc., Clifton Park, New York; Jackson, Tennessee; Los Angeles, California; Bobrick Washroom Equipment Company, Scarborough Ontario; Bobrick Washroom Equipment Pty. Ltd., Australia; and Bobrick Washroom Equipment Limited, United Kingdom.**

**BOBRICK****Technical Data****RECESSED  
TOILET TISSUE DISPENSER**  
(FOR STUD WALL OR COUNTERTOP APRONS)**B-667**  
**B-6677**

Specify Model Required:  Model B-667 Bright polished stainless steel  
 Model B-6677 Satin-finish stainless steel



**Rough Opening**  
 5-1/2" (140mm) wide  
 5-1/4" (135mm) high  
 3-3/8" (85mm) minimum  
 recessed depth

**MATERIALS:**

**Shell and Flange** — 18-8, Type-304, 22-gauge (0.8mm) stainless steel. Drawn, one-piece, seamless construction with two countersunk mounting holes.

**Support Posts (2)** — Heavy-duty cast zamak with chrome-plated finish.

**Mounting Bracket** — Plated steel mounting clamp attaches to back of unit with two sheet-metal screws for installation in stud wall construction and countertop aprons.

**Spindle** — Chrome-plated plastic equipped with heavy-duty internal spring.

*Designer's Note:* Theft-resistant toilet tissue spindle, which is removable only with special key provided, are available as an optional accessory - part no. 283-604.

**INSTALLATION:**

Provide framed rough opening 5-1/2" wide x 5-1/4" high (140 x 135mm). Minimum recessed depth required from finish face of wall or apron is 3-3/8" (85mm).

For installation in stud wall construction and countertop aprons without backing: Loosely attach mounting clamp to back of unit with sheet-metal mounting screws. Insert into rough opening. Adjust mounting clamp so it grips surface inside rough opening. Secure in place by tightening two sheet-metal mounting screws.

For installation in stud wall construction and countertop aprons with backing: Discard mounting clamp furnished with unit. Insert unit only into rough opening and secure with sheet-metal screws furnished. Backing must comply with local building codes.

**SPECIFICATION:**

Recessed toilet tissue dispenser shall be constructed of Type-304, 22-gauge (0.8mm) stainless steel with \_\_\_\_\_ (insert one: bright polished or satin) finish. Shell and flange shall be drawn, one-piece, seamless construction. \*Spindle shall be equipped with a heavy-duty internal spring. Unit shall be furnished with plated steel mounting clamp for stud wall construction and countertop aprons.

*\*Theft-resistant spindle (part No. 283-604) available as a replacement part.*

Recessed Toilet Tissue Dispenser shall be Model \_\_\_\_\_ (insert model number) of Bobrick Washroom Equipment, Inc., Clifton Park, New York; Jackson, Tennessee; Los Angeles, California; Bobrick Washroom Equipment Company, Scarborough; Bobrick Washroom Equipment Pty. Ltd., Australia; and Bobrick Washroom Equipment Limited, United Kingdom.



Products > Paper Dispensers > Wausau Paper® Silhouette® Dubl-Serv® 2-Roll OptiCore® Tissue Dispenser



# Wausau Paper® Silhouette® Dubl-Serv® 2-Roll OptiCore®

 Updates

 Contact



For high-capacity applications and features a locking cover to prevent product pilferage and waste. Accommodates DublSoft®, Dubl-Nature®, and EcoSoft® Green Seal™ bath tissue with OptiCore® technology. For use with 61990.

- MFG#: 80200
- Description : Two Rolls
- Size (HxWxD): 8-13/16" x 11-1/16" x 7-3/16"
- Color: Black Translucent
- Quantity: 1/EA

Speak to a Daycon representative today for pricing and ordering information.

[Get Info](#) | [Place Order](#)

SKU: 80200

Categories: Bath Tissue, Paper Dispensers

## Join our mailing list.

Receive access to helpful resources and ensure you're operating successfully long-term.

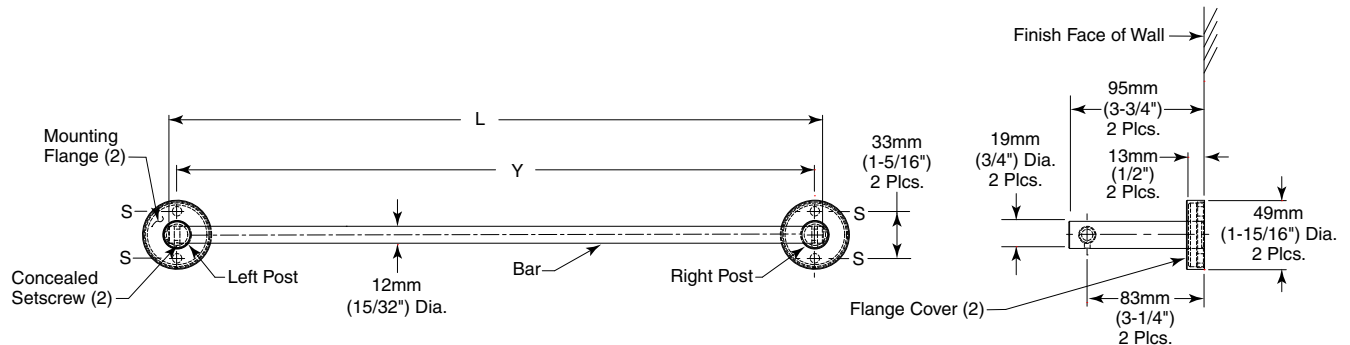
Enter your email...

 Updates

 Contact

**BOBRICK****Technical Data****TOWEL BAR****B-545  
B-5456**

**Specify Model Required:**  B-545 Satin-finish stainless steel  
 B-5456 Bright Polished stainless steel

**STANDARD STOCK SIZES**

Model No.	Bar Length L	Centerline-to-Centerline Y
B-545 x 18	460mm (18")	450mm (17-5/8")
B-545 x 24	610mm (24")	600mm (23-5/8")
B-5456 x 18	460mm (18")	450mm (17-5/8")
B-5456 x 24	610mm (24")	600mm (23-5/8")

**MATERIALS:**

**Post** — 18-8, Type-304, 19mm (3/4") diameter, solid stainless steel rod. Post and Concealed Mounting Threaded Flange are machined as one piece.

**Bar** — 18-8, Type-304, 12mm (15/32") diameter, solid stainless steel rod. Secured to Posts with two (2) concealed set screws.

**Concealed Mounting Threaded Flange** — 18-8, Type-304, 6mm (7/32") thick, stainless steel plate with thread on outside edge for fastening cover. 46mm (1-13/16") outside diameter with two holes for attachment to wall.

**Threaded Flange Cover** — 18-8, Type-304, 1mm (17-gauge), machined stainless steel. 49mm (1-15/16") diameter 13mm (1/2") deep. Cover fastens over mounting flange to conceal mounting screws.

**INSTALLATION:**

For plaster or dry wall construction, provide concealed backing to comply with local building codes, then secure unit with sheet-metal screws (not furnished). For other wall surfaces, provide fiber plugs or expansion shields for use with sheet-metal screws (not furnished), or provide 3mm (1/8") toggle bolts or expansion bolts. For partitions with particle-board or other solid core, secure with sheet-metal screws (not furnished), or provide through-bolts, nuts, and washers. For hollow-core metal partitions, provides a solid backing into which the sheet-metal screws (not furnished) can be secured. NOTE: centerline-to-centerline of mounting flanges must be within 2mm (1/16") of the Y dimension given.

**SPECIFICATION:**

Towel bar shall be Type-304 stainless steel with \_\_\_\_\_ (insert one satin finish or bright polished) finish. Towel bar shall have two (2) 19mm (3/4") diameter posts. Bar shall be 12mm (15/32") diameter secured to post with two (2) concealed set screws. Concealed mounting flange shall be 6mm (7/32") thick stainless steel plate, 46mm (1-13/16") outside diameter and equipped with two screw holes for attachment and thread on outside edge to fasten cover. Threaded flange cover shall be 1mm (17-gauge) stainless steel, 49mm (1-15/16") diameter and shall fasten over mounting flange to conceal mounting screws. Post and mounting flange are to be machined as one piece.

**Towel Bar shall be Model \_\_\_\_\_ (insert model number) of Bobrick Washroom Equipment, Inc., Clifton Park, New York; Jackson, Tennessee; Los Angeles, California; Bobrick Washroom Equipment Company, Scarborough, Ontario; Bobrick Washroom Equipment Pty. Ltd., Australia; and Bobrick Washroom Equipment Limited, United Kingdom.**

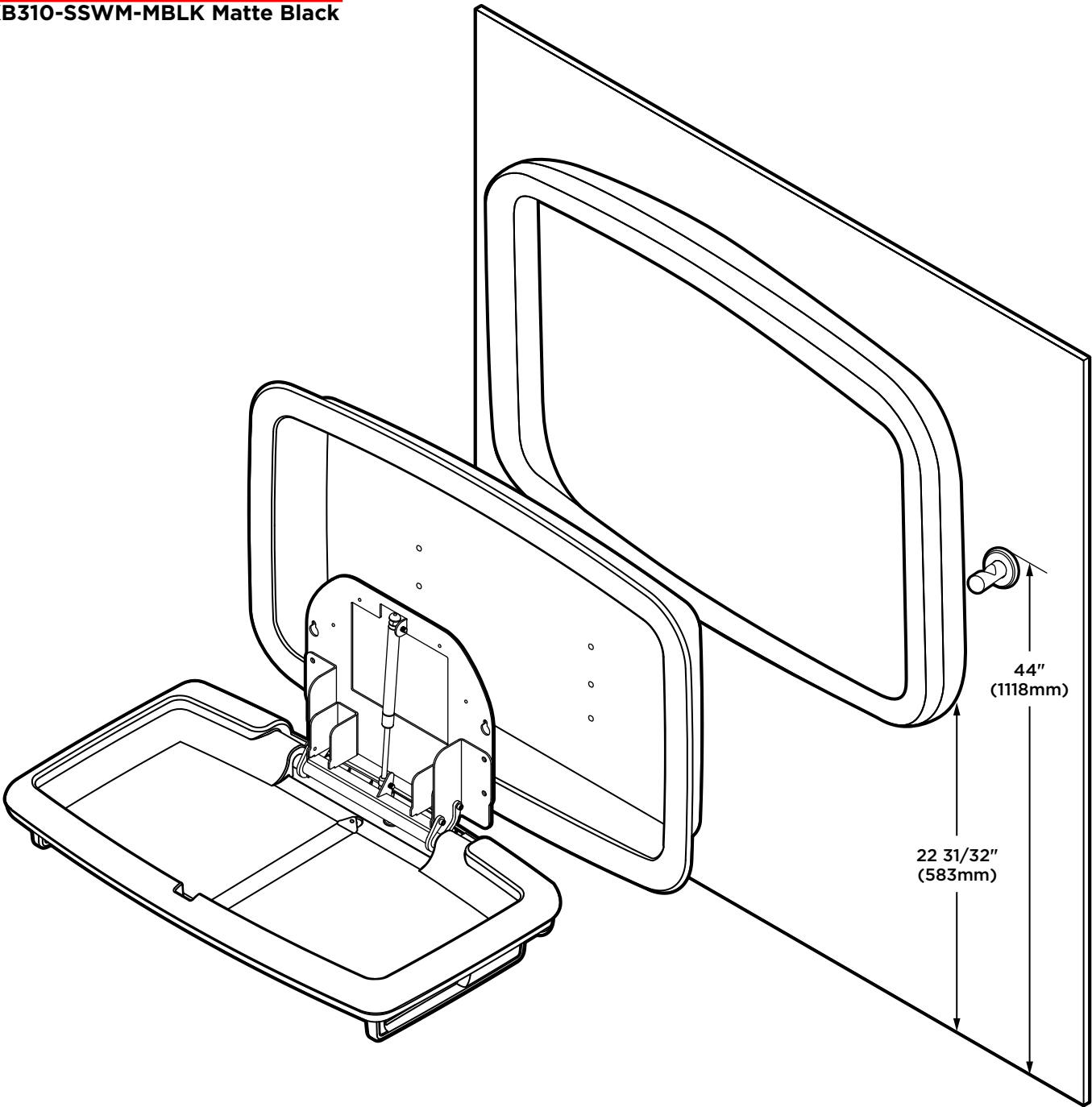


# KB310-SSWM Horizontal Stainless Steel Surface-Mounted Baby Changing Station

## Technical Data Sheet

### Color

- KB310-SSWM Stainless Steel
- KB310-SSWM-MBLK Matte Black

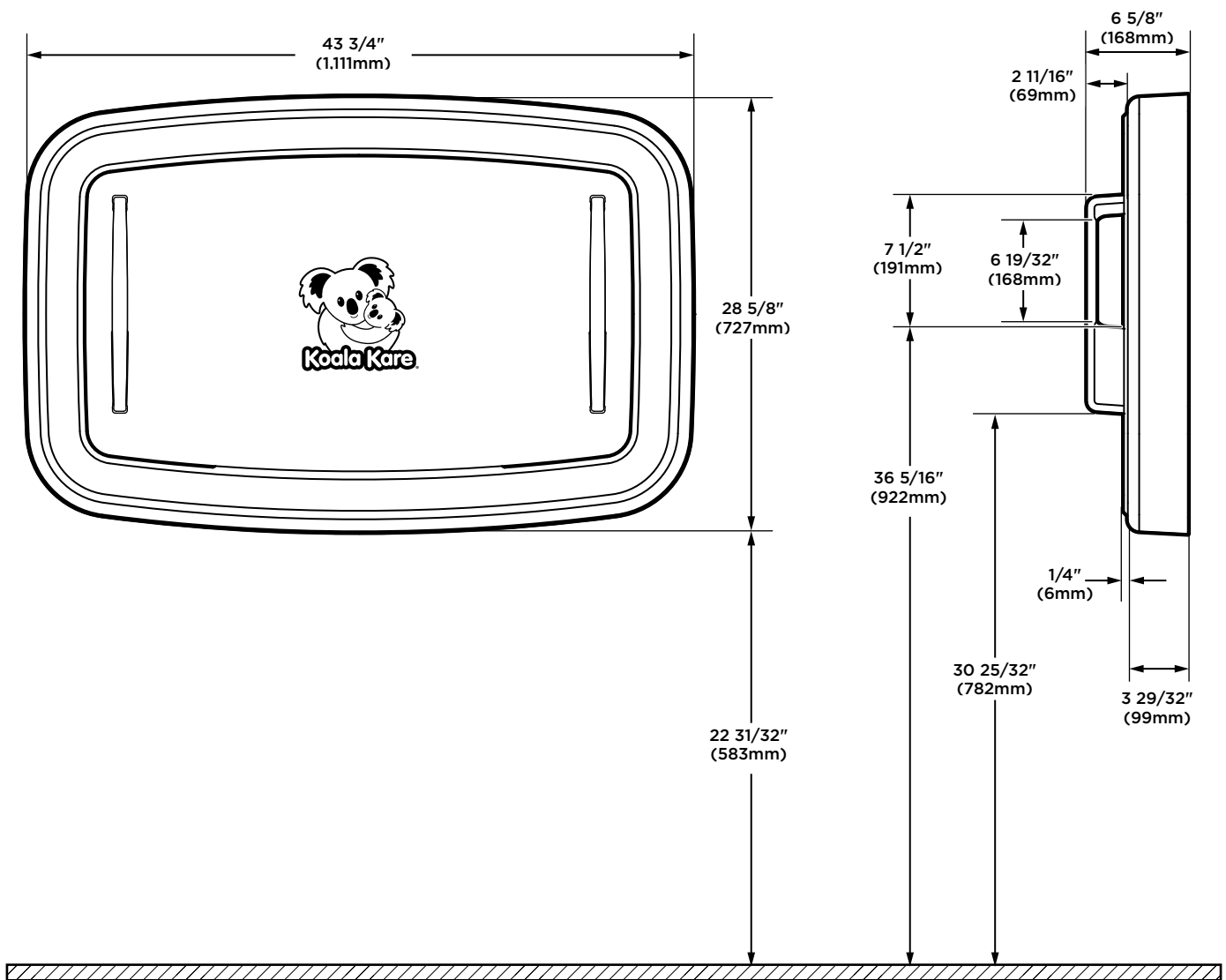


\*Diagrams are not to scale.



# KB310-SSWM Horizontal Stainless Steel Surface-Mounted Baby Changing Station

## Closed Position

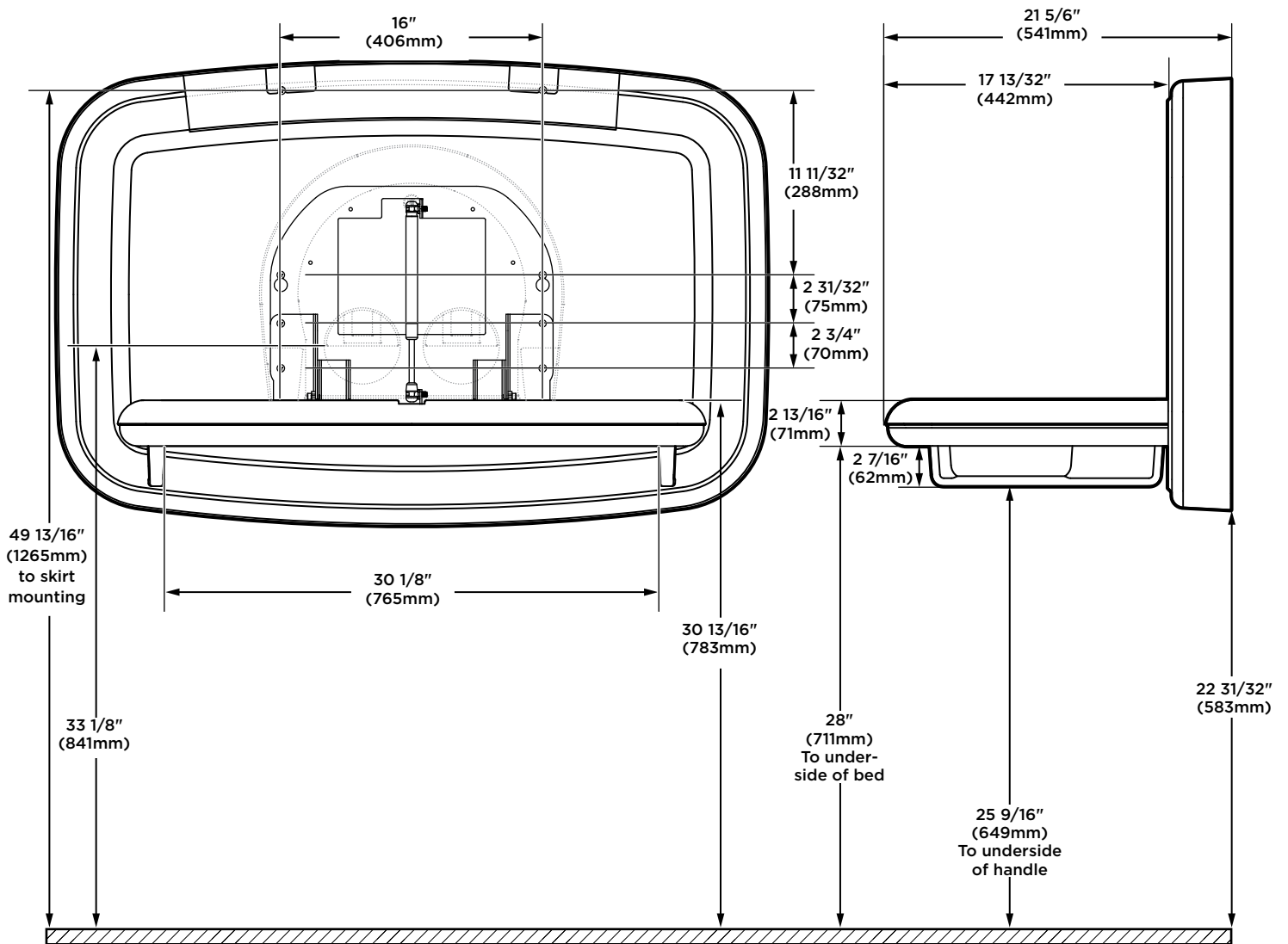


\*Diagrams are not to scale.



# KB310-SSWM Horizontal Stainless Steel Surface-Mounted Baby Changing Station

## Open Position



\*Diagrams are not to scale.



# KB310-SSWM Horizontal Stainless Steel Surface-Mounted Baby Changing Station

## Information

---

### Material

Grey injection-molded polypropylene with Microban® antimicrobial additive embedded into the bed surface. Reinforced steel-on-steel hinge mechanism and plated or powder coated steel mounting chassis with mounting hardware included. Satin finished 304 stainless steel deep drawn outer shell and recessed pan. Injection molded aluminum handles with satin stainless steel finish. Solid stainless steel external bag hook. Labeled usage instructions and safety messages. Contoured changing surface area 535 sq. In (3452 sq. cm) and comes complete with safety strap. Dual cavity liner dispenser holds approximately 50 KB150-99 bed liners.

### Operation

Concealed pneumatic cylinder and metal mounting chassis provides controlled, slow opening and closing of bed. Polypropylene is easy to clean and resists odors and bacterial growth. Complies with ASTM static load performance requirements when properly installed. Internal liner dispenser with integrated spring tab dispensed one liner at a time. Handles guide patron to operate unit with less than 5lbs of force and act as cane detection if unit is left in open (down) position.

**Warning:** To ensure that the unit supports the intended loads, baby changing stations must be properly installed according to the manufacturer's instructions.

### Specification

Baby changing station shall have durable, single piece deep drawn 304 satin finished stainless steel outer shell and recessed pan, with injection-molded polypropylene interior. Design of unit shall be surface-mounted. Unit shall be equipped with a pneumatic cylinder for controlled opening and closing of bed. Bed shall be secured to metal mounting chassis with a concealed steel-on-steel hinge. No hinge structure shall be exposed on interior or exterior surfaces. Unit shall have mounting hardware included. Unit shall have Microban® antimicrobial embedded into plastic material on the changing surface. Unit shall fully comply with ADA regulations when properly installed. Bed shall have smooth concave changing area with a safety strap and external stainless steel hook for bags or purse provided.

The design and manufacture of Koala products is intended to be compliant with the 2010 ADA Standards for Accessible Design and the 2009 ICC A117.1, Accessible and Usable Buildings and Facilities. Unit shall conform to ASTM F2285-04(16) Standard Safety Performance Specification for Diaper Changing Tables for Commercial Use, ANSI Z535.4 Product Safety Signs and Labels, EN 12221:2008+A1: 2013. Unit shall have a built-in Liner Dispenser for use with 3-ply chemical free biodegradable bed liners, instructional graphics and safety messages in 4 languages. Unit shall be backed by manufacturer's 5-year limited warranty on materials and workmanship and include a provision for replacement caused by vandalism.

Unit shall be manufactured in the U.S.A.

### ADA Requirements

Additional information on how this product complies with ADA requirements can be found in the *KB310 & KB311 Baby Changing Stations Accessibility Compliance* document on [www.koalabear.com](http://www.koalabear.com).

*The illustrations and descriptions herein are applicable to production as of the date of this Technical Data Sheet. The manufacturer reserves the right to, and does from time to time, make changes and improvements in designs and dimensions without notice.*

**Koala Kare Products**  
**A Division of Bobrick**

6982 South Quentin Street, Centennial, CO 80112-3945  
**Main:** 303.539.8300 | **Toll Free:** 888.733.3456 | **Fax:** 303.539.8399  
**Website:** [koalabear.com](http://koalabear.com) | **Email:** [customerservice@koalabear.com](mailto:customerservice@koalabear.com)

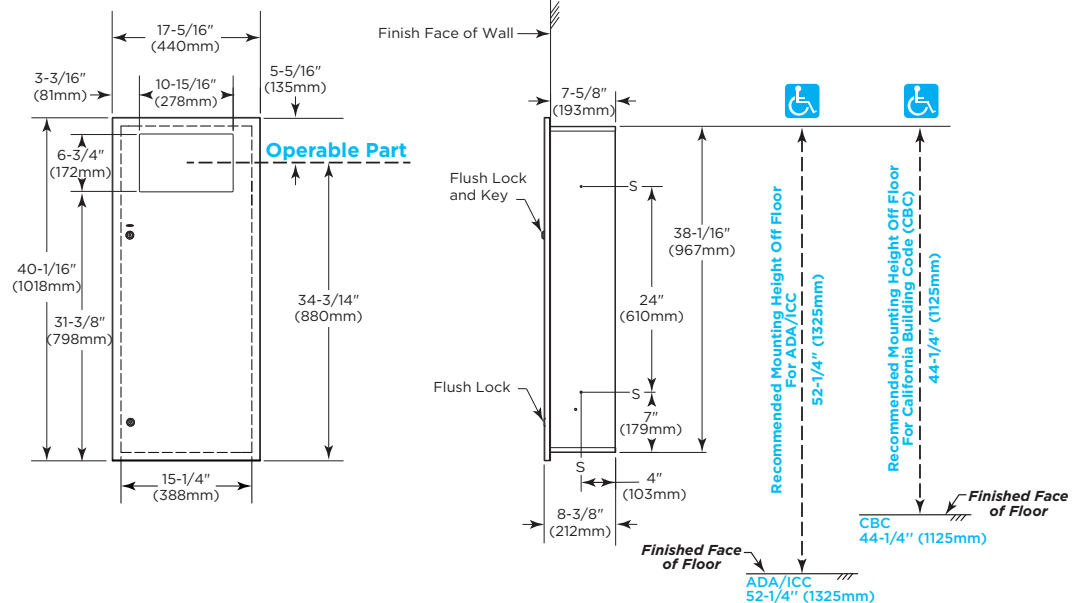

**Technical Data**

# TrimLineSeries™ RECESSED WASTE RECEPTACLE

# B-35643

Specify Finish Required

- 
- Stainless Steel, Satin Finish
- 
- 
- Matte Black Finish, please use model no. B-35643.MBLK


**Rough Wall Opening**

15-3/4" (400mm) wide  
 38-1/2" (978mm) high  
 7-11/16" (95mm) minimum  
 recessed depth


**ADA/CBC Installation Guidance**

**\*Operable Part:** Center of waste disposal push door.

**Maximum mounting height of Operable Part:**

ADA/ICC: 48" above finished floor (AFF)  
 CBC: 40" above finished floor (AFF)

\*For more information regarding operable parts, please refer to Bobrick Planning Guide for Accessible Restrooms, page 9.

**MATERIALS:**

**Cabinet** — 18-8, Type-304, heavy-gauge stainless steel. All-welded construction. Exposed surfaces have satin-finish.

**Door** — 18-8, Type-304, 18-gauge (1.2mm) stainless steel with satin-finish. Secured to cabinet with a concealed, full-length stainless steel piano-hinge. Equipped with two tumbler locks keyed like other Bobrick washroom accessories. Tumbler locks flush with the door - no protrusion.

**Waste Receptacle** — Leak-proof, rigid molded plastic waste receptacle. Removable for servicing. Capacity: 12-gal. (45.4-L).

**OPERATION:**

To service waste receptacle, unlock door with key provided and remove waste container. Cable door-swing limiter prevents damage to washroom accessories and walls.

**INSTALLATION:**

Provide framed rough wall opening 15-3/4" wide x 38-1/2" high (400 x 978mm). Minimum recessed depth required from finish face of wall is 7-11/16" (195mm). Allow clearance for construction features that may protrude into rough wall opening from opposite wall. Coordinate with mechanical engineer to avoid pipes, vents, and conduits in wall. Mount cabinet with shims between framing and cabinet at all points indicated by an S, then secure unit with (4) #10 x 1-1/4" (4.8 x 32mm) sheet-metal screws (not furnished).

**Replacement Parts:**

Skirt Kit	35649-53
Door Replacement Kit	35649-173
Lock and Key	38030-20
Plastic Waste Receptacle	39003-31

**SPECIFICATION:**

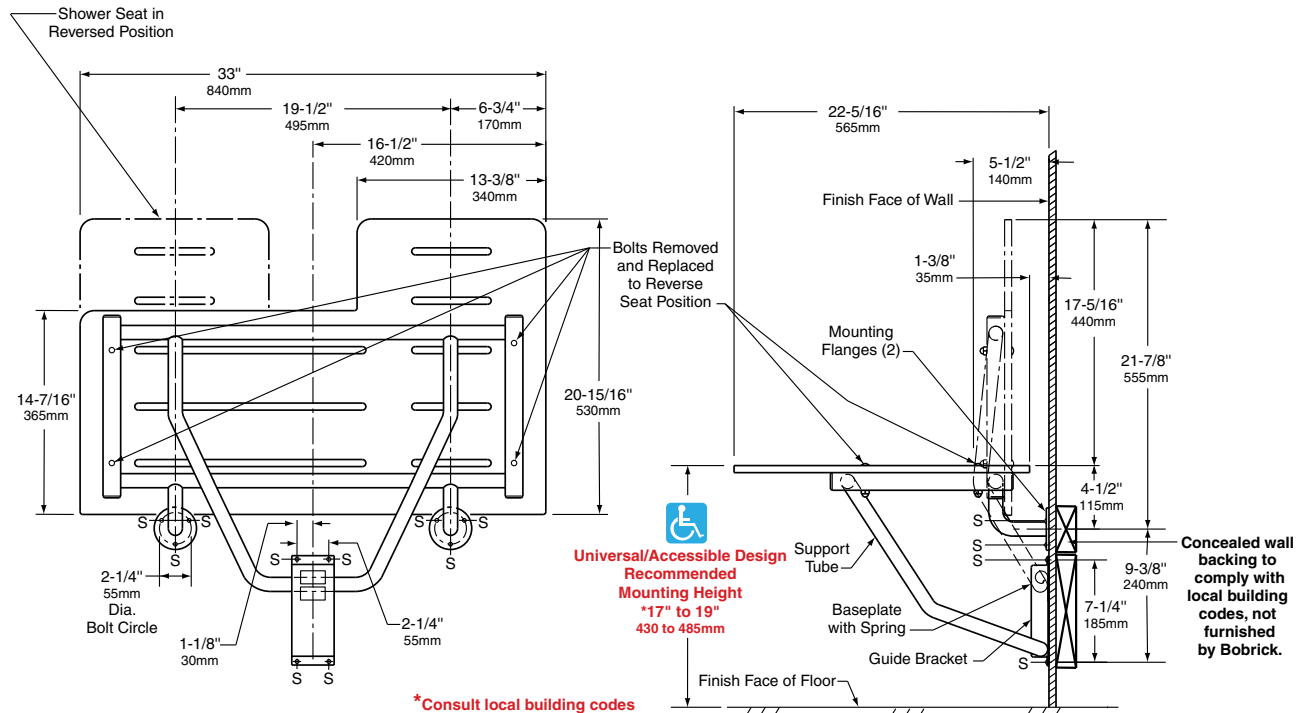
Recessed waste receptacle shall be Type-304 stainless steel with all-welded construction; exposed surfaces shall have satin finish. Door shall be Type-304, 18 gauge (1.2mm) secured to cabinet with a concealed, full-length stainless steel piano-hinge, cable door-swing limiter and equipped with two tumbler locks keyed like other Bobrick washroom accessories. Tumbler locks flush with the door - no protrusion. Waste receptacle shall be furnished with a removable, leak-proof, rigid molded plastic waste-container with a minimum capacity of 12-gal. (45.4-L).

**Recessed Waste Receptacle shall be Model B-35643 of Bobrick Washroom Equipment, Inc., Clifton Park, New York; Jackson, Tennessee; Los Angeles, California; Bobrick Washroom Equipment Company, Scarborough, Ontario; Bobrick Washroom Equipment Pty. Ltd., Australia; and Bobrick Washroom Equipment Limited, United Kingdom.**


**Technical Data**

# REVERSIBLE SOLID PHENOLIC FOLDING SHOWER SEAT

# B-5181



Left-Hand Seat Shown

**MATERIALS:**

**Seat** — One-piece, 1/2" (13mm) thick, solid phenolic with matte-finish, antique white-colored, melamine surfaces and black phenolic-resin core — cannot delaminate. Integral slots for water drainage. Secured to frame with stainless steel carriage bolts and acorn nuts. Reversible for left- or right-hand installation in the field.

**Frame** — 18-8, Type-304, stainless steel with satin finish. 16-gauge (1.6mm), 1-1/4" (30mm) square tubing and 18-gauge (1.2mm), 1" (25mm) diameter seamless tubing.

**Mounting Flanges (2)** — 18-8, Type-304, 3/16" (5mm) thick stainless steel with satin finish. 3" (75mm) diameter with three mounting screw holes.

**Baseplate** — 18-8, Type-304, heavy-gauge stainless steel.

**Spring** — 17-7, Type-301, 24-gauge (0.6mm) stainless steel. Spot-welded to baseplate.

**Guide Bracket** — 18-8, Type-304, 16-gauge (1.6mm) stainless steel with satin finish.

continued . . .



## OPERATION:

Shower seat folds up against wall when not in use. The spring at the top of the baseplate holds seat in upright position until released by pulling the top of the seat away from the wall. Bobrick Folding Shower Seats are not spring-loaded. The seats do not return automatically to the upright position after use. Mounting flanges and guide bracket allow for varying mounting heights and leave the floor clear for easy cleaning. Nonporous solid phenolic seat has slots to permit water to drain, does not splinter or require oiling, and will not support growth of bacteria. Slotless round-head carriage bolts and acorn nuts provide additional safety to user. Bobrick shower seats, when properly installed, have sufficient strength to support 360 lbs., (163 kg) complying with accessible design guidelines (including ADAAG in the U.S.A.).

## INSTALLATION:

**Installation to Wall.** Secure unit to wall at points indicated by an S, with the two mounting flanges located at top and the baseplate and guide bracket below. The bottom of the support tube must be positioned within the baseplate and guide bracket before they are secured to wall. Mounting height of shower seat must comply with local building codes.

For stud walls, provide concealed backing to comply with local building codes and secure with #14 x 2-1/2" (6.3 x 65mm) stainless steel sheet-metal screws furnished by manufacturer.

For prefabricated shower stalls, provided adequate backing by the shower stall manufacturer. Secure with #14 x 2-1/2" (6.3 x 65mm) stainless steel mounting screws furnished by manufacturer. Bobrick offers a mounting kit for installing shower seats. For additional mounting kits please order 252-30. One mounting kit is required for each flange.

For masonry walls, provide fiber plugs or expansion shields for use with furnished screws, or provide 1/4" (6mm) toggle bolts or expansion bolts.

## INSTALL SAFETY PLATE TO WALL:

Safety Plate is to be mounted on wall near Shower Seat in order to properly advise users of the Seat's weight restrictions. Correct installation of the Safety Plate will ensure that the Shower Seat meets A.N.S.I. Standards.

Permanently affix Safety Plate to wall on either side of the Shower Seat at a minimum height of 30" (760mm). If mounted above Seat, the Plate must be high enough so that it is not covered when Seat is on the up position. Mounting screws (4) are recommended, but double-sided tape on rear of Plate may be used for very smooth, non-porous surfaces.

**SAFETY WARNING: Shower seats are no stronger than the anchors and walls to which they are attached and must be firmly secured in order to support the loads for which they are intended. Consult and comply with local building codes. To avoid potential injury, the building owner or maintenance personnel should remove the shower seat from service if the shower seat is not adequately secured to the wall. Unit shall support static loads of up to 360 lbs (163 kg) when properly installed and used. To avoid potential seat malfunction, DO NOT use seat if weight exceeds 360 lbs (163 kg).**

**How to Reverse Shower Seat.** The solid phenolic shower seat surface may be positioned on the stainless steel frame with the longer 20-15/16" (530mm) side on the left or right. The repositioning of the shower seat surface may be done on the frame before installation on the wall, or after the unit has been installed.

If repositioning the seat surface before installation of the unit on the wall; place entire unit on a horizontal surface; remove carriage bolts and acorn nuts (4); turn seat over reversing position of long and short ends; reinstall carriage bolts and acorn nuts.

If repositioning the seat surface after the unit has been installed on the wall; lower folding seat to horizontal position; remove carriage bolts and acorn nuts (4); turn seat over reversing position of long and short ends; reinstall carriage bolts and acorn nuts.

**Important Notes:** Support square frame tubes when loosening and removing carriage bolts and acorn nuts; the square frame tubes may separate from the round tubes that support the solid phenolic shower seat. If square and round frame tubes come apart when solid phenolic shower seat is removed, reassemble by placing round frame tube ends in the round holes on the sides of the square frame tubes.

## SPECIFICATION:

Reversible folding shower seat shall have a frame constructed of Type-304, satin-finish stainless steel that consists of 16-gauge (1.6mm), 1-1/4" (30mm) square tubing and 18-gauge (1.2mm), 1" (25mm) diameter seamless tubing. Seat shall be one-piece, 1/2" (13mm) thick, solid phenolic with matte-finish, antique white-colored, melamine surfaces, and black phenolic-resin core; secured to frame with stainless steel carriage bolts and acorn nuts. Seat shall be reversible for left- or right-hand installation in the field. Shower seat shall be equipped with two 3" (75mm) diameter mounting flanges constructed of Type-304, 3/16" (5mm) thick, satin-finish stainless steel; a guide bracket constructed of Type-304, 16-gauge (1.6mm), satin-finish stainless steel; and a spring constructed of Type-301, 24-gauge (0.6mm) stainless steel that is spot-welded to a baseplate of Type-304, heavy-gauge stainless steel. Seat shall remain in upright position when not in use. Shower seat shall comply with accessible design guidelines (including ADAAG in the U.S.A.).

**Reversible Folding Shower Seat shall be Model B-5181 of Bobrick Washroom Equipment, Inc., Clifton Park, New York; Jackson, Tennessee; Los Angeles, California; Bobrick Washroom Equipment Company, Scarborough, Ontario; Bobrick Washroom Equipment Pty. Ltd., Australia; and Bobrick Washroom Equipment Limited, United Kingdom.**